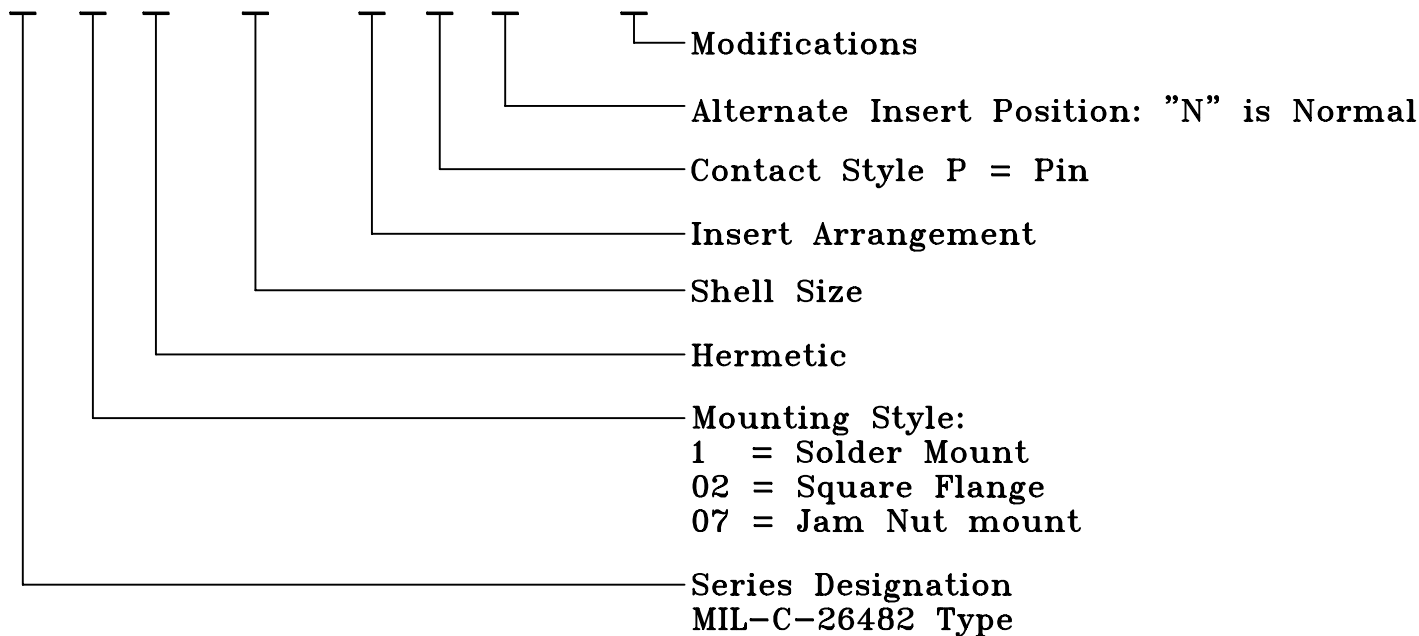


MIL-C-26482 TYPE, DT SERIES
(COMMERCIAL EQUAL - HERMETIC)

PART NUMBERING SYSTEM

DT 1 H - 22 - 55 P N - ***



GENERAL SPECIFICATIONS

MATERIAL

Shell, Bayonet and Flange: Carbon Steel
Pins: 52 Nickel Alloy
Seals: Silicone O-Ring only
Insulator: Glass

CURRENT RATING

Size 20: 5 AMPS
Size 16: 10 AMPS

AIR LEAKAGE

1x10⁻⁶ CM³/SEC AT 15psi

INSULATION RESISTANCE

5,000 megohms AT 500VDC

OPERATING TEMPERATURE

-67°F TO +257°F (-55°C TO +125°C)

STANDARD PIN IS SOLDER CUP TYPE. OTHER PIN TYPES ALSO AVAILABLE (EYELET, STRAIGHT, THERMOCOUPLE) - CONSULT FACTORY.

STANDARD FINISH IS TIN PLATED SHELL AND PINS. OTHER FINISHES ALSO AVAILABLE (GOLD, NICKEL, OLIVE DRAB, etc.) - CONSULT FACTORY.

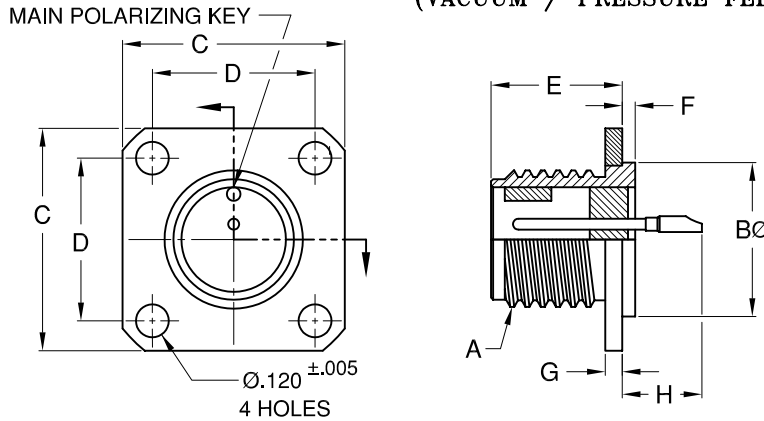
SPECIALS CAN BE SUPPLIED TO MEET CUSTOMER SPECIFICATIONS - CONSULT FACTORY.

OUR CONNECTORS MATE WITH ANY PLUG WITH SOCKET CONTACTS WHICH MEET THE DIMENSIONAL REQUIREMENTS OF MIL-C-26482 AND MIL-STD-3116.

DETORONICS CORPORATION
10660 EAST RUSH STREET, SO. EL MONTE, CA 91733
TELE: (626) 579-7130 FAX: (626) 579-1936
www.detoronics.com

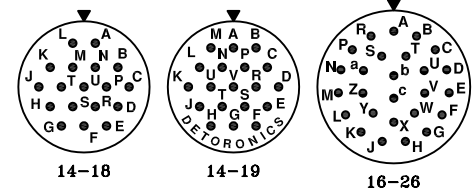
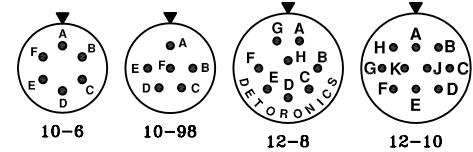
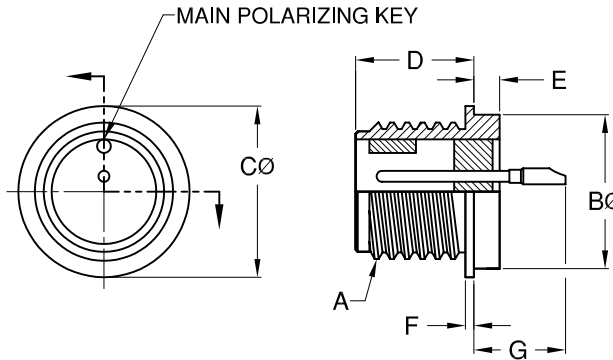
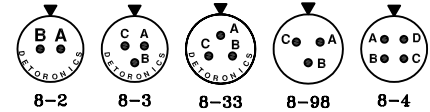
MINIATURE HERMETIC ELECTRONIC CONNECTORS-DC SERIES

SPECIAL ACME THREAD COUPLING MIL-C-26482 TYPE, COMMERCIAL EQUAL HERMETIC GLASS-TO-METAL SEALED (VACUUM / PRESSURE FEED THRU)



PART NO.	A THREAD CLASS 2A	Bø +.001 -.005	C ±.016	D ±.005	E +.026 -.016	F ±.016	G ±.016	H MAX.
DC02H-8-*PN	.5000 DS	.562	.812	.594	.469	.047	.062	.344
DC02H-10-*PN	.6250 DS	.672	.938	.719	.469	.047	.062	.344
DC02H-12-*PN	.7500 DS	.781	1.031	.812	.469	.047	.062	.344
DC02H-14-*PN	.8750 DS	.906	1.125	.906	.469	.047	.062	.344
DC02H-16-*PN	1.0000 DS	1.031	1.219	.969	.469	.047	.062	.344

DC02H - FLANGE MOUNT CONNECTORS



PART NO.	A THREAD CLASS 2A	Bø +.001 -.005	Cø MAX.	D +.025 -.016	E +.011 -.010	F +.006 -.005	G MAX.
DC1H-8-*PN	.5000 DS	.562	.636	.422	.094	.031	.386
DC1H-10-*PN	.6250 DS	.672	.761	.422	.094	.031	.386
DC1H-12-*PN	.7500 DS	.781	.855	.422	.094	.031	.386
DC1H-14-*PN	.8750 DS	.906	.980	.422	.094	.031	.386
DC1H-16-*PN	1.0000 DS	1.031	1.105	.422	.094	.031	.386

DC1H - SOLDER MOUNT CONNECTORS

ENGAGING FACE PIN INSERTS

* ADD DESIRED INSERT ARRANGEMENT.

▼ = INSERT ARRANGEMENT IS SHOWN IN NORMAL POSITION.

OTHER SHELL SIZES, PIN PATTERNS AND INSERT POSITIONS MAY BE AVAILABLE - CONSULT FACTORY.

MATERIAL: STANDARD IS CRS SHELL, 52 NICKEL ALLOY PINS AND NO INTERFACIAL SEAL.

STANDARD PIN IS SOLDER CUP TYPE. OTHER PIN TYPES CAN BE SUPPLIED (EYELET, STRAIGHT, THERMOCOUPLE) - CONSULT FACTORY.

STANDARD FINISH IS TIN PLATED SHELL AND PINS.

OTHER FINISHES ALSO AVAILABLE (GOLD, NICKEL, OLIVE DRAB, etc.) - CONSULT FACTORY.

SPECIALS CAN BE SUPPLIED TO MEET CUSTOMER SPECIFICATIONS - CONSULT FACTORY.

GENERAL SPECIFICATIONS

AIR LEAKAGE: 1×10^{-6} CM³/SEC AT 15psi

INSULATION RESISTANCE: 5,000 megohms AT 500VDC

OPERATING TEMPERATURE: -67°F TO +257°F (-55°C TO +125°C)

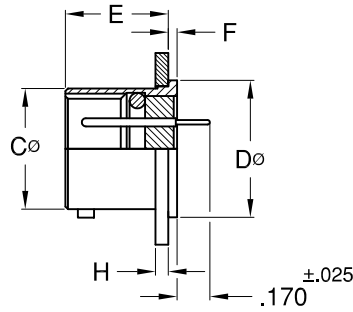
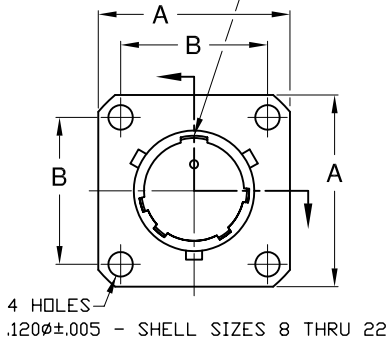
CURRENT RATING: SIZE 20: 5 AMPS

DETORONICS CORPORATION
10660 EAST RUSH STREET, SO. EL MONTE, CA 91733
TELE: (626) 579-7130 FAX: (626) 579-1936
www.detoronics.com

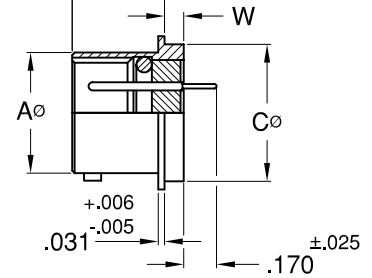
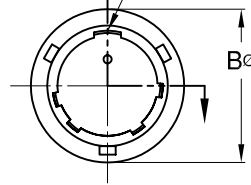
MINIATURE HERMETIC ELECTRONIC CONNECTORS-DFC SERIES

FLEX CIRCUIT SERIES MIL-C-26482 TYPE, COMMERCIAL EQUAL HERMETIC GLASS-TO-METAL SEALED (VACUUM / PRESSURE FEED THRUS)

MAIN POLARIZING KEYWAY



MAIN POLARIZING KEYWAY



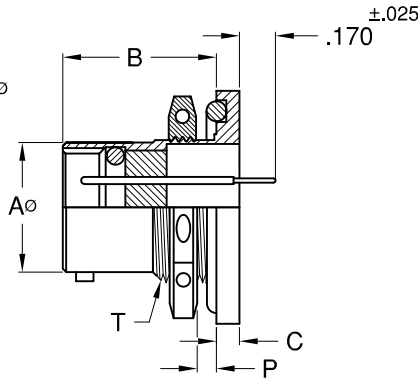
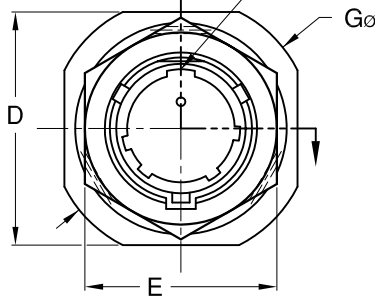
PART NO.	A ±.016	B TYP.	Cø +.001 -.005	Dø +.001 -.005	E +.025 -.015	F ±.016	H ±.016
DFC02H-8-*PN	.812	.594	.473	.562	.494	.047	.062
DFC02H-10-*PN	.938	.719	.590	.672	.494	.047	.062
DFC02H-12-*PN	1.031	.812	.750	.781	.494	.047	.062
DFC02H-14-*PN	1.125	.906	.875	.906	.494	.047	.062
DFC02H-16-*PN	1.219	.969	1.000	1.031	.494	.047	.062
DFC02H-18-*PN	1.312	1.062	1.125	1.156	.494	.047	.062
DFC02H-20-*PN	1.438	1.156	1.250	1.220	.556	.047	.094
DFC02H-22-*PN	1.562	1.250	1.375	1.340	.556	.079	.094

PART NO.	Aø +.001 -.005	Bø MAX.	Cø +.001 -.005	L +.025 -.016	W +.011 -.010
DFC1H-8-*PN	.473	.636	.562	.447	.094
DFC1H-10-*PN	.590	.761	.672	.447	.094
DFC1H-12-*PN	.750	.855	.781	.447	.094
DFC1H-14-*PN	.875	.980	.906	.447	.094
DFC1H-16-*PN	1.000	1.105	1.031	.447	.094
DFC1H-18-*PN	1.125	1.229	1.156	.447	.094
DFC1H-20-*PN	1.250	1.323	1.250	.509	.094
DFC1H-22-*PN	1.375	1.449	1.375	.509	.125

DFC02H - FLANGE MOUNT CONNECTORS (MIL-STD-3112H TYPE)

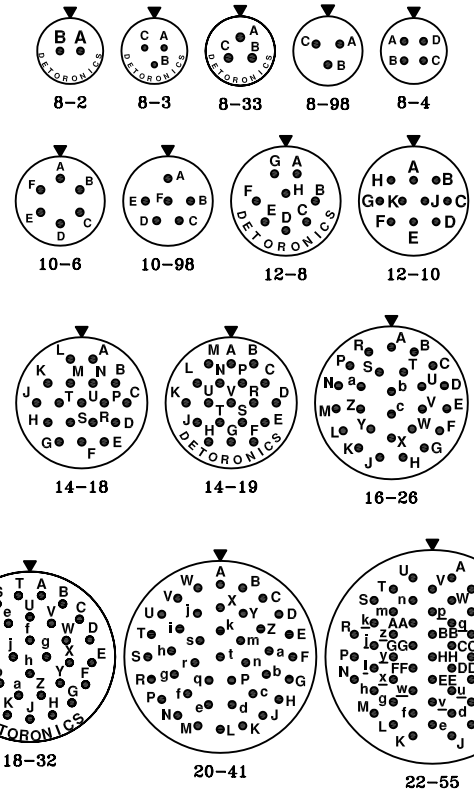
DFC1H - SOLDER MOUNT CONNECTORS (MIL-STD-3113H TYPE)

MAIN POLARIZING KEYWAY



PART NO.	Aø +.001 -.005	B +.031 -.000	C ±.020	D MAX.	E HEX ±.017	Gø +.000 -.032	PANEL THK. MIN. MAX.	T THREAD †
DFC07H-8-*PN	.473	.691	.117	.954	.750	1.078	.062 .125	.5625-24
DFC07H-10-*PN	.590	.691	.117	1.078	.875	1.203	.062 .125	.6875-24
DFC07H-12-*PN	.750	.691	.117	1.266	1.062	1.391	.062 .125	.875-20
DFC07H-14-*PN	.875	.691	.117	1.391	1.188	1.516	.062 .125	1.000-20
DFC07H-16-*PN	1.000	.691	.117	1.516	1.312	1.641	.062 .125	1.125-18
DFC07H-18-*PN	1.125	.691	.117	1.641	1.438	1.766	.062 .125	1.250-18
DFC07H-20-*PN	1.250	.879	.148	1.828	1.562	1.954	.062 .250	1.375-18
DFC07H-22-*PN	1.375	.879	.148	1.954	1.688	2.078	.062 .250	1.500-18

DFC07H - JAM NUT MOUNT CONNECTORS (MIL-STD-3114H TYPE)



ENGAGING FACE PIN INSERTS

* ADD DESIRED INSERT ARRANGEMENT.

▼ INSERT ARRANGEMENT IS SHOWN IN NORMAL POSITION.

† AFTER PLATING, SUBJECT TO ACCEPTANCE USING A BASIC CLASS 3A GO GAGE.

OTHER SHELL SIZES, PIN PATTERNS AND INSERT POSITIONS MAY BE AVAILABLE - CONSULT FACTORY.

MATERIAL: STANDARD IS CRS SHELL, 52 NICKEL ALLOY PINS AND SILICONE O-RING ONLY.

STANDARD PIN IS STEP TYPE. .040" DIA. REDUCED DOWN TO .025" DIA. ON BACK SIDE.

STANDARD FINISH IS TIN PLATED SHELL AND PINS.

OTHER FINISHES ALSO AVAILABLE (GOLD, NICKEL, OLIVE DRAB, etc.) - CONSULT FACTORY.

SPECIALS CAN BE SUPPLIED TO MEET CUSTOMER SPECIFICATIONS - CONSULT FACTORY.

OUR CONNECTORS MATE WITH ANY PLUG WITH SOCKET CONTACTS WHICH MEET THE DIMENSIONAL REQUIREMENTS OF MIL-C-26482 AND MIL-STD-3116.

GENERAL SPECIFICATIONS

AIR LEAKAGE: 1x10⁻⁶ CM³/SEC AT 15psi

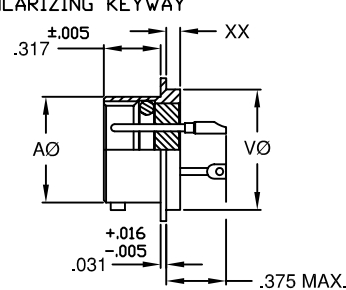
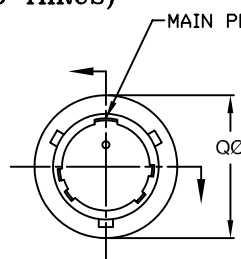
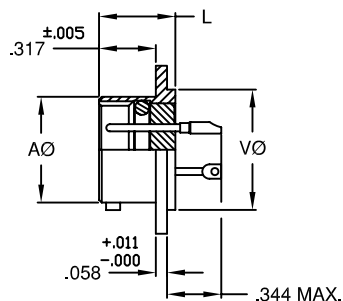
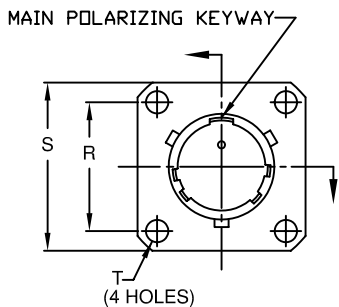
INSULATION RESISTANCE: 5,000 megohms AT 500VDC

OPERATING TEMPERATURE: -67°F TO +257°F (-55°C TO +125°C)

DETORONICS CORPORATION
10660 EAST RUSH STREET, SO. EL MONTE, CA 91733
TELE: (626) 579-7130 FAX: (626) 579-1936
www.detoronics.com

MINIATURE HERMETIC ELECTRONIC CONNECTORS-DJ SERIES

MIL-C-38999 SERIES II TYPE, COMMERCIAL EQUAL HERMETIC GLASS-TO-METAL SEALED (VACUUM / PRESSURE FEED THRU)

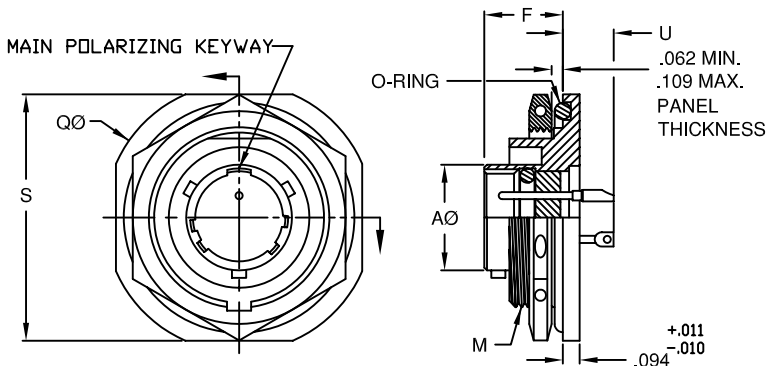


DJT02H - SQUARE FLANGE MOUNT CONNECTORS (MIL-STD-27476 TYPE)

PART NO.	AØ +.001 -.005	L MAX.	R BSC G-C	S MAX.	T +.010 -.005	VØ +.001 -.005
DJT02H-8-*PN	.473	.453	.594	.828	.120	.562
DJT02H-10-*PN	.590	.453	.719	.954	.120	.672
DJT02H-12-*PN	.750	.453	.812	1.047	.120	.781
DJT02H-14-*PN	.875	.453	.906	1.141	.120	.906
DJT02H-16-*PN	1.000	.453	.969	1.234	.120	1.031
DJT02H-18-*PN	1.125	.453	1.062	1.328	.120	1.156
DJT02H-20-*PN	1.250	.453	1.156	1.453	.120	1.250
DJT02H-22-*PN	1.375	.453	1.250	1.578	.120	1.375
DJT02H-24-*PN	1.500	.484	1.375	1.703	.147	1.500

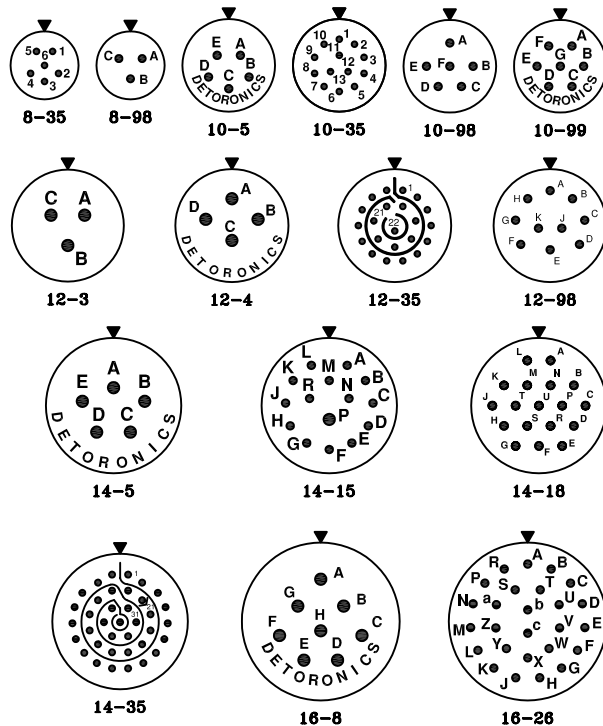
DJT1H - SOLDER MOUNT CONNECTORS (MIL-STD-27478 TYPE)

PART NO.	AØ +.001 -.005	XX MAX.	QØ +.011 -.010	VØ +.001 -.005
DJT1H-8-*PN	.473	.125	.687	.562
DJT1H-10-*PN	.590	.125	.797	.672
DJT1H-12-*PN	.750	.125	.906	.781
DJT1H-14-*PN	.875	.125	1.031	.906
DJT1H-16-*PN	1.000	.125	1.156	1.031
DJT1H-18-*PN	1.125	.125	1.281	1.156
DJT1H-20-*PN	1.250	.125	1.375	1.250
DJT1H-22-*PN	1.375	.156	1.500	1.375
DJT1H-24-*PN	1.500	.156	1.625	1.500



DJT07H - JAM NUT MOUNT CONNECTORS (MIL-STD-27477 TYPE)

PART NO.	AØ +.001 -.005	F ±.005	M THREAD † CLASS-2A	QØ ±.016	S ±.016	U MAX.
DJT07H-8-*PN	.473	.438	.8750-20 UNEF	1.375	1.250	.281
DJT07H-10-*PN	.590	.438	1.0000-20 UNEF	1.500	1.375	.281
DJT07H-12-*PN	.750	.438	1.1250-18 UNEF	1.625	1.500	.281
DJT07H-14-*PN	.875	.438	1.2500-18 UNEF	1.750	1.625	.281
DJT07H-16-*PN	1.000	.438	1.3750-18 UNEF	1.938	1.781	.281
DJT07H-18-*PN	1.125	.438	1.5000-18 UNEF	2.016	1.890	.281
DJT07H-20-*PN	1.250	.464	1.6250-18 UNEF	2.141	2.016	.250
DJT07H-22-*PN	1.375	.464	1.7500-18 UNS	2.265	2.140	.250
DJT07H-24-*PN	1.500	.464	1.8750-16 UN	2.390	2.265	.250



ENGAGING FACE PIN INSERTS

* ADD DESIRED INSERT ARRANGEMENT.

▼ INSERT ARRANGEMENT IS SHOWN IN NORMAL POSITION.

† AFTER PLATING, SUBJECT TO ACCEPTANCE USING A BASIC CLASS 3A GO GAGE.

H = O-RING. IF SILICONE INTERFACIAL SEAL IS REQUIRED, SUBSTITUTE 'Y' FOR 'H' IN PART NUMBER.

OTHER PIN PATTERNS AND INSERT POSITIONS MAY BE AVAILABLE - CONSULT FACTORY.

MATERIAL: STANDARD IS CRS SHELL, 52 NICKEL ALLOY PINS AND SILICONE O-RING ONLY.

STANDARD PIN IS SOLDER CUP TYPE. OTHER PIN TYPES ALSO AVAILABLE (EYELET, STRAIGHT) - CONSULT FACTORY.

STANDARD FINISH IS TIN PLATED SHELL AND PINS.

OTHER FINISHES ALSO AVAILABLE (GOLD, NICKEL, OLIVE DRAB, etc.) - CONSULT FACTORY.

SPECIALS CAN BE SUPPLIED TO MEET CUSTOMER SPECIFICATIONS - CONSULT FACTORY.

OUR CONNECTORS MATE WITH ANY PLUG WITH SOCKET CONTACTS WHICH MEET THE DIMENSIONAL REQUIREMENTS OF MIL-C-38999 AND MIL-STD-27484.

GENERAL SPECIFICATIONS

AIR LEAKAGE: 1×10^{-7} CM³/SEC AT 15psi

INSULATION RESISTANCE: 5,000 megohms AT 500VDC

OPERATING TEMPERATURE: 39°F TO +201°F (4°C TO +90°C)

DETORONICS CORPORATION

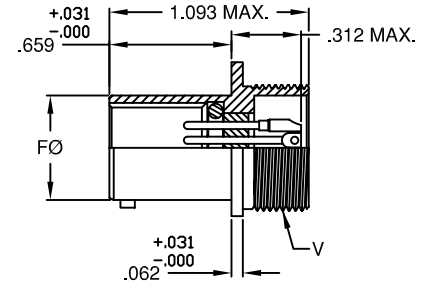
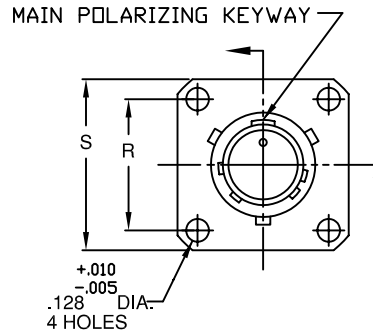
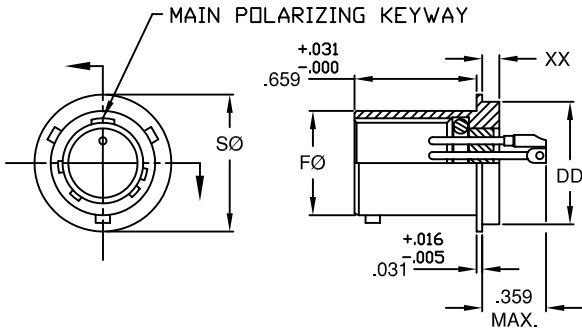
10660 EAST RUSH STREET, SO. EL MONTE, CA 91733

TELE: (626) 579-7130 FAX: (626) 579-1936

www.detoronics.com

MINIATURE HERMETIC ELECTRONIC CONNECTORS—DJL SERIES

MIL-C-38999 SERIES I TYPE, COMMERCIAL EQUAL HERMETIC GLASS-TO-METAL SEALED (VACUUM / PRESSURE FEED THRUS)

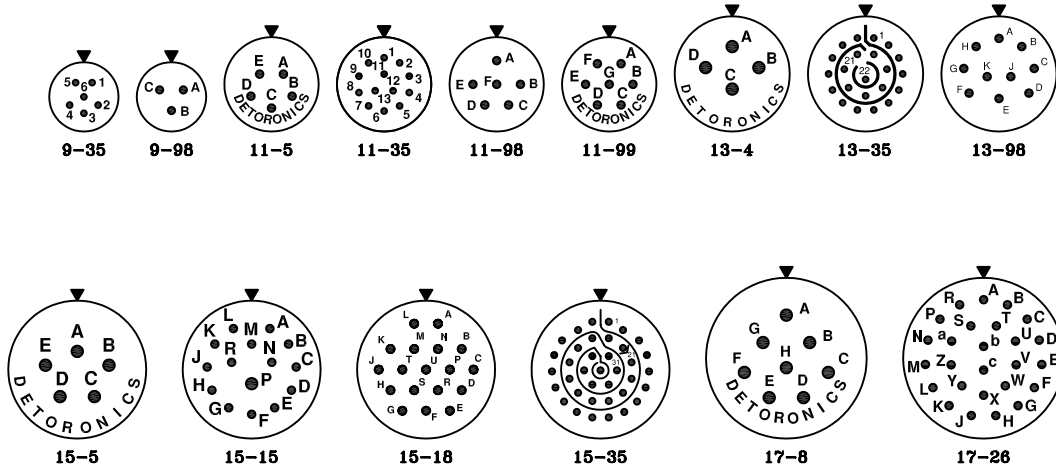


DJLT1H - SOLDER MOUNT CONNECTORS (MIL-STD-27471 TYPE)

PART NO.	FØ +.001 -.005	DD +.001 -.005	SØ ±.016	XX MAX.
DJLT1H-9-*PN	.572	.672	.750	.187
DJLT1H-11-*PN	.700	.781	.844	.187
DJLT1H-13-*PN	.850	.906	.969	.187
DJLT1H-15-*PN	.975	1.031	1.094	.187
DJLT1H-17-*PN	1.100	1.156	1.218	.187

DJLT02H - SQUARE FLANGE MOUNT CONNECTORS (MIL-STD-27469 TYPE)

PART NO.	FØ +.001 -.005	S ±.016	R (TYP.) BSC	V THREAD UNEF-2A †
DJLT02H-9-*PN	.572	.938	.719	.6875-24
DJLT02H-11-*PN	.700	1.031	.812	.8125-20
DJLT02H-13-*PN	.850	1.125	.906	.9375-20
DJLT02H-15-*PN	.975	1.219	.969	1.0625-18
DJLT02H-17-*PN	1.100	1.312	1.062	1.1875-18



ENGAGING FACE PIN INSERTS

* ADD DESIRED INSERT ARRANGEMENT.

▼ = INSERT ARRANGEMENT IS SHOWN IN NORMAL POSITION.

† AFTER PLATING, SUBJECT TO ACCEPTANCE USING A BASIC CLASS 3A GO GAGE.

H = O-RING. IF SILICONE INTERFACIAL SEAL IS REQUIRED, SUBSTITUTE 'Y' FOR 'H' IN PART NUMBER.

OTHER SHELL SIZES, PIN PATTERNS AND INSERT POSITIONS MAY BE AVAILABLE - CONSULT FACTORY.

MATERIAL: STANDARD IS CRS SHELL AND 52 NICKEL ALLOY PINS AND SILICONE O-RING ONLY.

STANDARD PIN IS SOLDER CUP. OTHER PIN TYPES ALSO AVAILABLE (EYELET, STRAIGHT) - CONSULT FACTORY.

STANDARD FINISH IS TIN PLATED SHELL AND PINS.

OTHER FINISHES ALSO AVAILABLE (GOLD, NICKEL, OLIVE DRAB, etc.) - CONSULT FACTORY.

SPECIALS CAN BE SUPPLIED TO MEET CUSTOMER SPECIFICATIONS - CONSULT FACTORY.

OUR CONNECTORS MATE WITH ANY PLUG WITH SOCKET CONTACTS WHICH MEET THE DIMENSIONAL REQUIREMENTS OF MIL-C-38999 AND MIL-STD-27467.

GENERAL SPECIFICATIONS

AIR LEAKAGE: 1×10^{-7} CM³/SEC AT 15psi

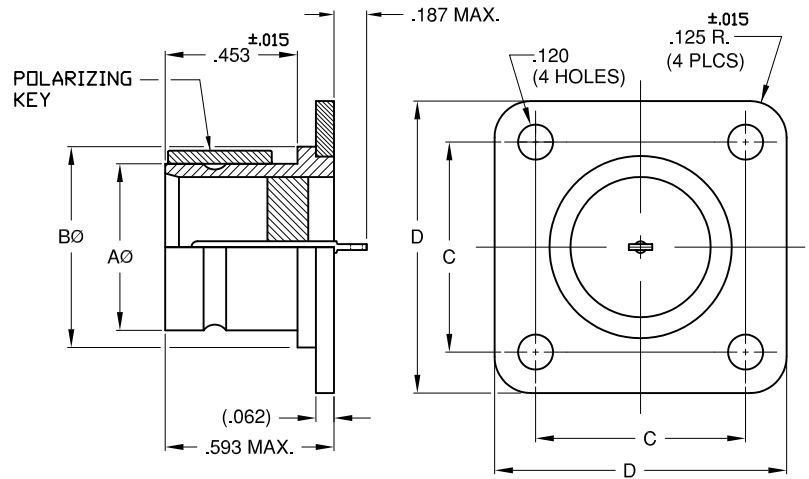
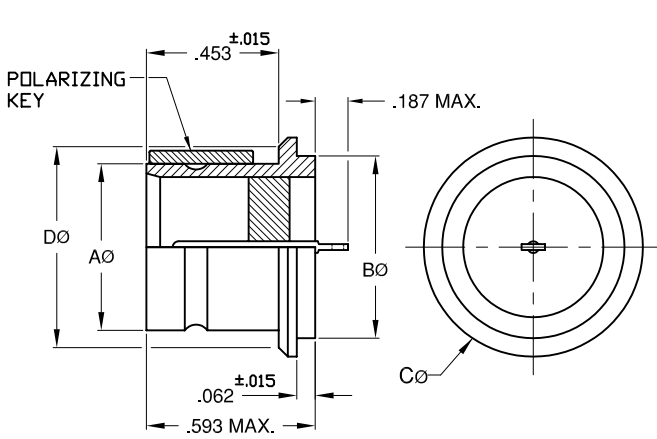
INSULATION RESISTANCE: 5,000 megohms AT 500VDC

OPERATING TEMPERATURE: 39°F TO +201°F (4°C TO +90°C)

DETORONICS CORPORATION
10660 EAST RUSH STREET, SO. EL MONTE, CA 91733
TELE: (626) 579-7130 FAX: (626) 579-1936
www.detoronics.com

MINIATURE HERMETIC ELECTRONIC CONNECTORS—DPP SERIES

MIL-C-81703 TYPE, COMMERCIAL EQUAL
HERMETIC GLASS-TO-METAL SEALED
(VACUUM / PRESSURE FEED THRS)

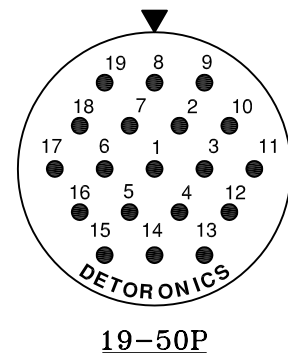
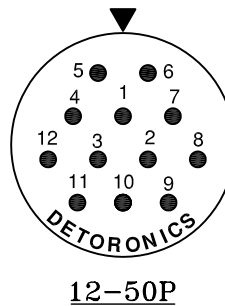
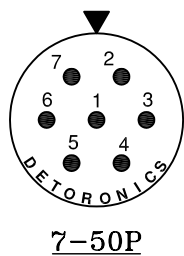


PART NO.	AØ ±.004	BØ +.000 -.004	CØ ±.015	DØ ±.015
DPPH00-3-50PN	.435	.500	.593	.531
DPPH00-7-50PN	.570	.625	.750	.687
DPPH00-12-50PN	.705	.749	.875	.812
DPPH00-19-50PN	.844	.875	1.000	.937

**DPPH00— SOLDER MOUNT CONNECTOR
(MIL-STD-3134H TYPE)**

PART NO.	AØ ±.004	BØ ±.010	C ±.005	D ±.015
DPPH06-3-50PN	.435	.531	.625	.875
DPPH06-7-50PN	.570	.672	.719	1.000
DPPH06-12-50PN	.705	.812	.812	1.093
DPPH06-19-50PN	.844	.937	.906	1.187

**DPPH06— SQUARE FLANGE MOUNT CONNECTOR
(MIL-STD-3132H TYPE)**



ENGAGING FACE PIN INSERTS

▼ = INSERT ARRANGEMENT IS SHOWN IN NORMAL POSITION.

OTHER SHELL SIZES, PIN PATTERNS AND INSERT POSITIONS MAY BE AVAILABLE - CONSULT FACTORY.

MATERIAL: STANDARD IS CRS SHELL, 52 NICKEL ALLOY PINS AND NO INTERFACIAL SEAL.

STANDARD PIN IS EYELET TYPE. OTHER PIN TYPES ALSO AVAILABLE (SOLDER CUP, STRAIGHT) - CONSULT FACTORY.

STANDARD FINISH IS TIN PLATED SHELL AND PINS.

OTHER FINISHES ALSO AVAILABLE (GOLD, NICKEL, OLIVE DRAB, etc.) - CONSULT FACTORY.

SPECIALS CAN BE SUPPLIED TO MEET CUSTOMER SPECIFICATIONS - CONSULT FACTORY.

OUR CONNECTORS MATE WITH ANY PLUG WITH SOCKET CONTACTS WHICH MEET THE DIMENSIONAL REQUIREMENTS OF MIL-C-81703 AND MS3137.

GENERAL SPECIFICATIONS

AIR LEAKAGE: 1×10^{-6} CM³/SEC AT 15psi

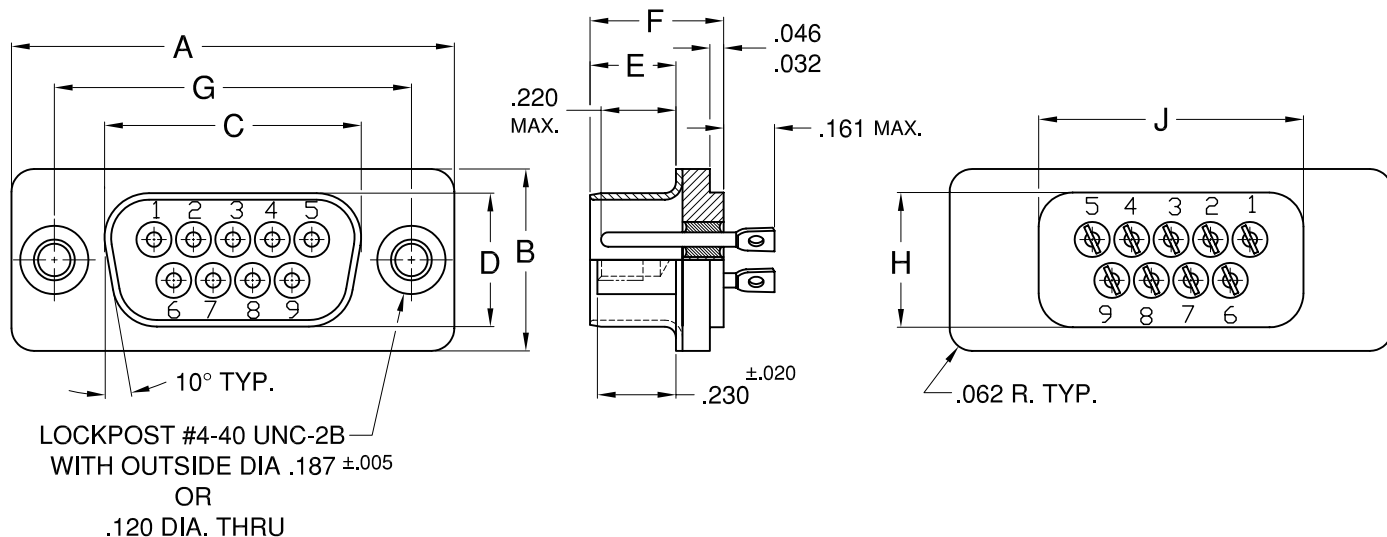
INSULATION RESISTANCE: 5,000 megohms AT 500VDC

OPERATING TEMPERATURE: -67°F TO +257°F (-55°C TO 125°C)

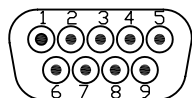
DETORONICS CORPORATION
10660 EAST RUSH STREET, SO. EL MONTE, CA 91733
TELE: (626) 579-7130 FAX: (626) 579-1936
www.detoronics.com

MINIATURE HERMETIC ELECTRONIC CONNECTORS—DRH SERIES

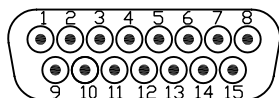
MIL-C-24308 TYPE D-SUB, COMMERCIAL EQUAL
HERMETIC GLASS-TO-METAL SEALED
(VACUUM / PRESSURE FEED THRU)



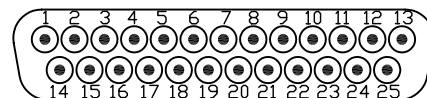
PART NO.	A	B	C	D	E	F	G	H	J
DRH1-9P-*	±.015	±.010	±.010	±.010	±.010	±.020	±.005	±.010	±.010
DRH2-15P-*	1.213	.498	.703	.366	.235	.367	.984	.369	.725
DRH3-25P-*	1.541	.498	1.029	.366	.235	.367	1.312	.369	.932
DRH4-37P-*	2.088	.498	1.571	.366	.230	.362	1.852	.369	1.479
DRH5-50P-*	2.729	.498	2.219	.366	.230	.362	2.500	.369	2.125
DRH5-50P-*	2.635	.610	2.115	.477	.230	.362	2.406	.500	2.000



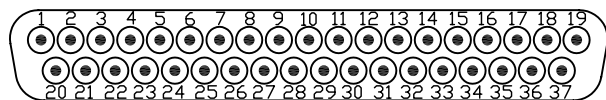
9 PINS, SHELL SIZE 1



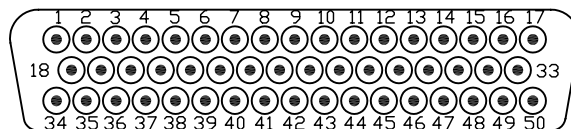
15 PINS, SHELL SIZE 2



25 PINS, SHELL SIZE 3



37 PINS, SHELL SIZE 4



50 PINS, SHELL SIZE 5

ENGAGING FACE PIN INSERTS

*ADD SUFFIX NUMBER FOR MODIFICATION (THRU HOLES, LOCKPOSTS, PLATING, PIN TYPE) - CONSULT FACTORY.

MATERIAL: STANDARD IS CRS SHELL AND 52 NICKEL ALLOY PINS.

STANDARD PIN IS EYELET TYPE. OTHER PIN TYPES ALSO AVAILABLE (SOLDER CUP, STRAIGHT) - CONSULT FACTORY.

STANDARD FINISH IS TIN PLATED SHELL AND PINS.

OTHER FINISHES ALSO AVAILABLE (GOLD, NICKEL, etc.) - CONSULT FACTORY.

SPECIALS CAN BE SUPPLIED TO MEET CUSTOMER SPECIFICATIONS - CONSULT FACTORY.

OUR CONNECTORS MATE WITH ANY PLUG WITH SOCKET CONTACTS WHICH MEET THE DIMENSIONAL REQUIREMENTS OF MIL-C-24308

GENERAL SPECIFICATIONS

AIR LEAKAGE: 1.04×10^{-5} CM³/SEC AT 15psi

INSULATION RESISTANCE: 5,000 megohms AT 500VDC

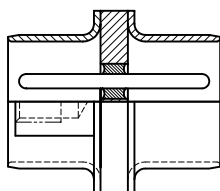
OPERATING TEMPERATURE: -67°F TO +257°F (-55°C TO +125°C)

CURRENT RATING: 5 AMPS

ALSO AVAILABLE
THRU BULKHEAD
DRTBH SERIES

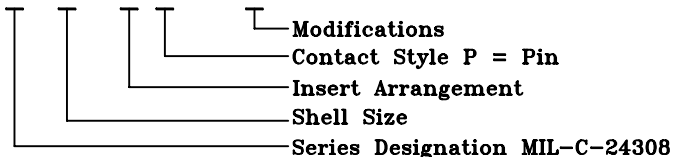
STANDARD
LOCKPOSTS
THRU HOLES

CONSULT FACTORY



PART NUMBERING SYSTEM

DRH 1 - 9 P - ***

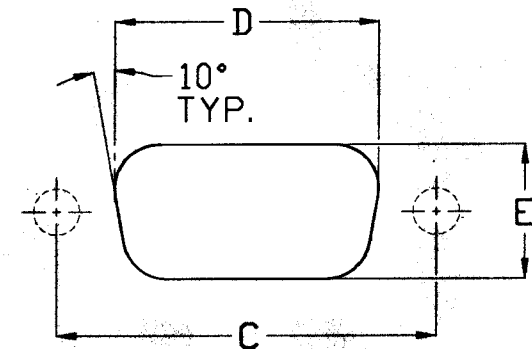
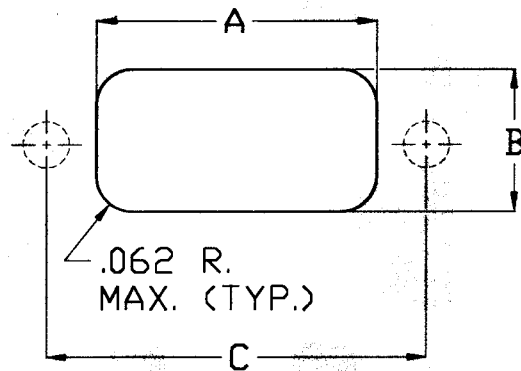


DETORONICS CORPORATION
10660 EAST RUSH STREET, SO. EL MONTE, CA 91733
TELE: (626) 579-7130 FAX: (626) 579-1936
www.detoronics.com

PANEL CUT OUT FOR D-SUB SERIES

PART NO.	A MIN.	B MIN.	C ±.005	D MIN.	E MIN.
DRH1-9P-*	.735	.379	.984	.794	.457
DRH2-15P-*	.942	.379	1.312	1.120	.457
DRH3-25P-*	1.489	.379	1.852	1.682	.477
DRH4-37P-*	2.135	.379	2.500	2.330	.477
DRH5-50P-*	2.010	.510	2.406	2.226	.583

PART NO.	C ±.005	D MIN.	E MIN.
DRTBH1-9P-*	.984	.794	.457
DRTBH2-15P-*	1.312	1.120	.457
DRTBH3-25P-*	1.852	1.682	.477
DRTBH4-37P-*	2.500	2.330	.477
DRTBH5-50P-*	2.406	2.226	.583



www.detoronics.com

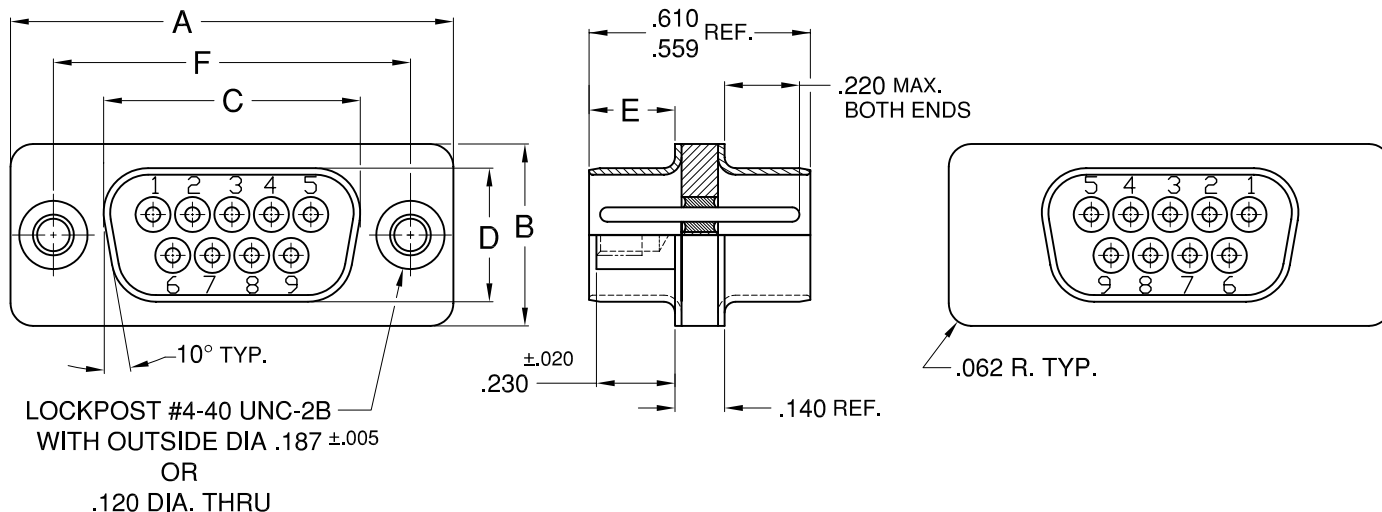
DETORONICS CORPORATION

10660 EAST RUSH STREET, SO. EL MONTE, CA 91733
 TELE: (626) 579-7130 FAX: (626) 579-1936

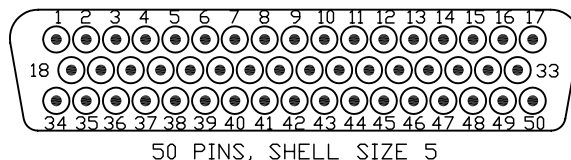
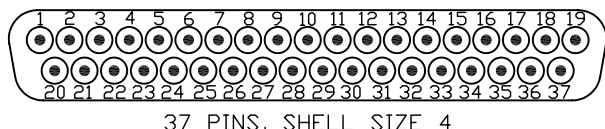
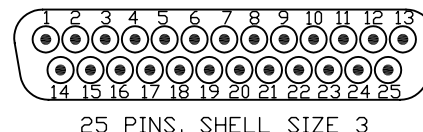
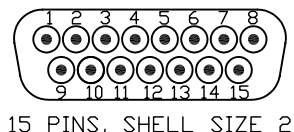
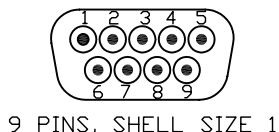
**D-SUB STANDARD
 MIL-C-24308 TYPE**

MINIATURE HERMETIC ELECTRONIC CONNECTORS—DRTBH SERIES

MIL-C-24308 TYPE D-SUB THRU BULKHEAD, COMMERCIAL EQUAL
HERMETIC GLASS-TO-METAL SEALED
(VACUUM / PRESSURE FEED THRUS)



PART NO.	A	B	C	D	E	F
DRTBH1-9P-*	±.015	±.010	±.010	±.010	±.010	±.005
DRTBH2-15P-*	1.213	.498	.703	.366	.235	.984
DRTBH3-25P-*	1.541	.498	1.029	.366	.235	1.312
DRTBH4-37P-*	2.088	.498	1.571	.366	.230	1.852
DRTBH5-50P-*	2.729	.498	2.219	.366	.230	2.500
DRTBH5-50P-*	2.635	.610	2.115	.477	.230	2.406



ENGAGING FACE PIN INSERTS

*ADD SUFFIX NUMBER FOR MODIFICATION (THRU HOLES, LOCKPOSTS, PLATING) - CONSULT FACTORY.

MATERIAL: STANDARD IS CRS SHELL AND 52 NICKEL ALLOY PINS.

STANDARD FINISH IS TIN PLATED SHELL AND PINS.

OTHER FINISHES ALSO AVAILABLE (GOLD, NICKEL, etc.) - CONSULT FACTORY.

SPECIALS CAN BE SUPPLIED TO MEET CUSTOMER SPECIFICATIONS - CONSULT FACTORY.

OUR CONNECTORS MATE WITH ANY PLUG WITH SOCKET CONTACTS WHICH MEET THE DIMENSIONAL REQUIREMENTS OF MIL-C-24308

GENERAL SPECIFICATIONS

AIR LEAKAGE: 1.04×10^{-5} CM³/SEC AT 15psi

INSULATION RESISTANCE: 5,000 megohms AT 500VDC

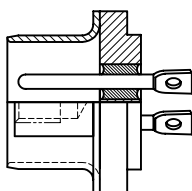
OPERATING TEMPERATURE: -67°F TO +257°F (-55°C TO +125°C)

CURRENT RATING: 5 AMPS

ALSO AVAILABLE D-SUB
DRH SERIES

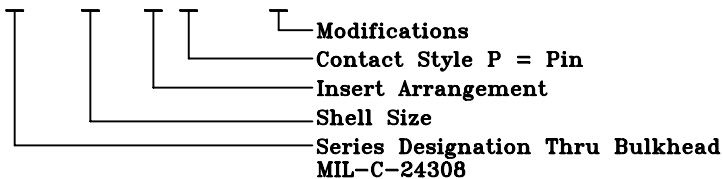
STANDARD
LOCKPOSTS
THRU HOLES

CONSULT FACTORY



PART NUMBERING SYSTEM

DRTBH 1 - 9 P - ***



DETORONICS CORPORATION

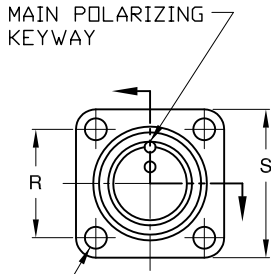
10660 EAST RUSH STREET, SO. EL MONTE, CA 91733

TELE: (626) 579-7130 FAX: (626) 579-1936

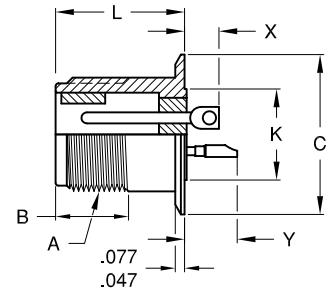
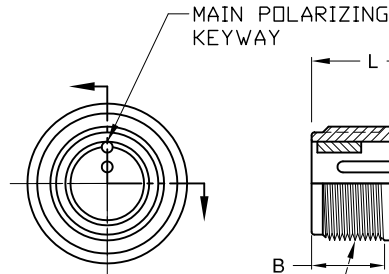
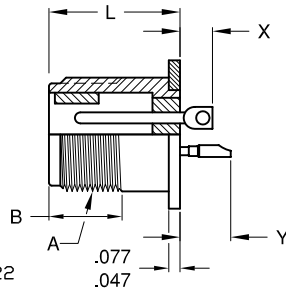
www.detoronics.com

MINIATURE HERMETIC ELECTRONIC CONNECTORS-DS SERIES

MIL-C-5015 TYPE, COMMERCIAL EQUAL HERMETIC GLASS-TO-METAL SEALED (VACUUM / PRESSURE FEED THRU)



4 HOLES
.120±.005 - SHELL SIZES 8 THRU 22
.147±.005 - SHELL SIZE 28

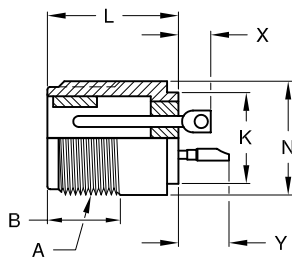
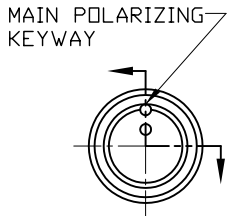


DS02H - 111 SQUARE FLANGE MOUNT CONNECTORS (MIL-STD-3142H TYPE)

PART NO.	S ±.031	R T.P. C-C	L MAX.	B MIN. THD.	A THREAD CLASS-2A †
DS02H-10SL-* -111	1.000	.719	.730	.375	.625-24 UNEF
DS02H-12S-* -111	1.094	.812	.730	.375	.750-20 UNEF
DS02H-14S-* -111	1.188	.906	.730	.375	.875-20 UNEF
DS02H-16S-* -111	1.281	.969	.730	.375	1.000-20 UNEF
DS02H-18-* -111	1.375	1.062	.915	.625	1.125-18 UNEF
DS02H-20-* -111	1.500	1.156	.915	.625	1.250-18 UNEF
DS02H-22-* -111	1.625	1.250	.915	.625	1.375-18 UNEF
DS02H-28-* -111	2.000	1.562	.915	.625	1.750-18 UNS
CONTACT SIZE 16		X MAX. .219		Y MAX. .375	

DS02H - 251 ROUND FLANGE MOUNT CONNECTORS (MIL-STD-3143H TYPE)

PART NO.	K ±.010	C ±.010	L MAX.	B MIN. THD.	A THREAD CLASS-2A †
DS02H-10SL-* -251	.490	.875	.730	.375	.625-24 UNEF
DS02H-12S-* -251	.646	1.000	.730	.375	.750-20 UNEF
DS02H-14S-* -251	.709	1.125	.730	.375	.875-20 UNEF
DS02H-16S-* -251	.834	1.250	.730	.375	1.000-20 UNEF
DS02H-18-* -251	.959	1.375	.915	.625	1.125-18 UNEF
DS02H-20-* -251	1.146	1.500	.915	.625	1.250-18 UNEF
DS02H-22-* -251	1.240	1.625	.915	.625	1.375-18 UNEF
DS02H-28-* -251	1.615	2.000	.915	.625	1.750-18 UNS
CONTACT SIZE 16		X MAX. .219		Y MAX. .375	



DS02H - 001 FLANGELESS MOUNT CONNECTORS

PART NO.	K ±.010	N +.000 -.062	L MAX.	B MIN. THD.	A THREAD CLASS-2A †
DS02H-10SL-* -001	.490	.656	.730	.375	.625-24 UNEF
DS02H-12S-* -001	.646	.782	.730	.375	.750-20 UNEF
DS02H-14S-* -001	.709	.906	.730	.375	.875-20 UNEF
DS02H-16S-* -001	.834	1.032	.730	.375	1.000-20 UNEF
DS02H-18-* -001	.959	1.156	.915	.625	1.125-18 UNEF
DS02H-20-* -001	1.146	1.282	.915	.625	1.250-18 UNEF
DS02H-22-* -001	1.240	1.406	.915	.625	1.375-18 UNEF
DS02H-28-* -001	1.615	1.782	.915	.625	1.750-18 UNS
CONTACT SIZE 16		X MAX. .219		Y MAX. .375	

* ADD DESIRED INSERT ARRANGEMENT.

▼ INSERT ARRANGEMENT IS SHOWN IN NORMAL POSITION.

† AFTER PLATING, SUBJECT TO ACCEPTANCE USING A BASIC CLASS 3A GO GAGE.

OTHER SHELL SIZES, PIN PATTERNS AND INSERT POSITIONS MAY BE AVAILABLE - CONSULT FACTORY.

MATERIAL: STANDARD IS CRS SHELL, 52 NICKEL ALLOY PINS AND NO INTERFACIAL SEAL.

STANDARD PIN IS EYELET TYPE. OTHER PIN TYPES ALSO AVAILABLE (SOLDER CUP, STRAIGHT, THERMOCOUPLE) - CONSULT FACTORY.

STANDARD FINISH IS TIN PLATED SHELL AND PINS.

OTHER FINISHES ALSO AVAILABLE (GOLD, NICKEL, OLIVE DRAB, etc.) - CONSULT FACTORY.

SPECIALS CAN BE SUPPLIED TO MEET CUSTOMER SPECIFICATIONS - CONSULT FACTORY.

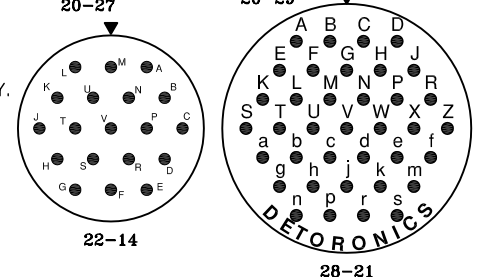
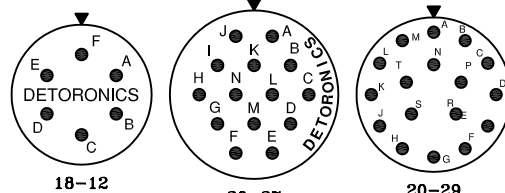
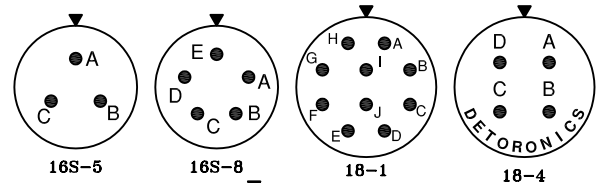
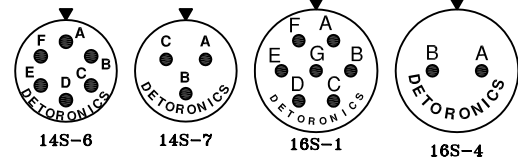
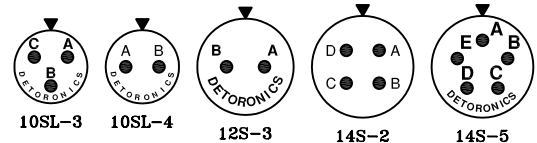
OUR CONNECTORS MATE WITH ANY PLUG WITH SOCKET CONTACTS WHICH MEET THE DIMENSIONAL REQUIREMENTS OF MIL-C-5015 AND MIL-STD-3106.

GENERAL SPECIFICATIONS

AIR LEAKAGE: 1x10⁻⁶ CM³/SEC AT 15psi

INSULATION RESISTANCE: 5,000 megohms AT 500VDC

OPERATING TEMPERATURE: -67°F TO +347°F (-55°C TO +175°C)

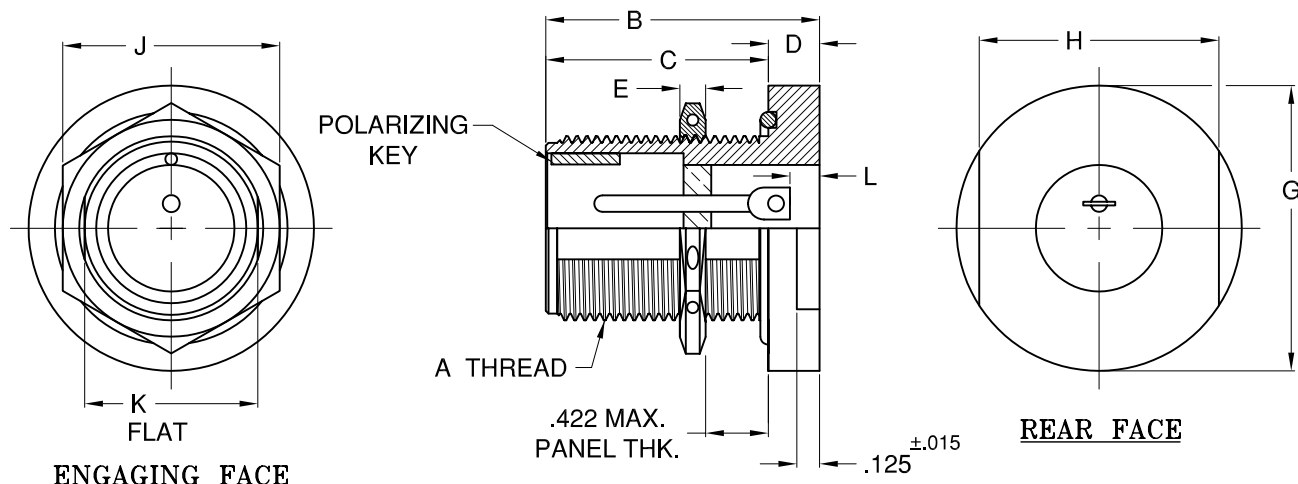


ENGAGING FACE PIN INSERTS

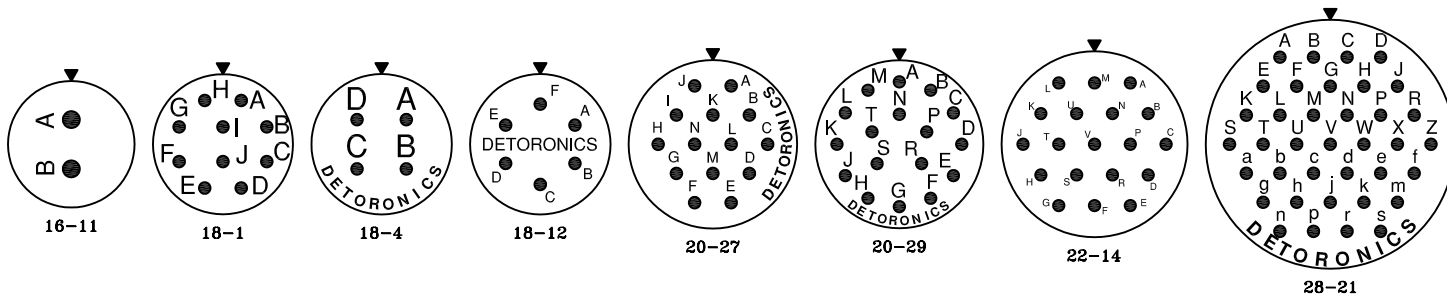
DETORONICS CORPORATION
10660 EAST RUSH STREET, SO. EL MONTE, CA 91733
TELE: (626) 579-7130 FAX: (626) 579-1936
www.detoronics.com

MINIATURE HERMETIC ELECTRONIC CONNECTORS—DSBFH SERIES

MIL-C-5015 TYPE, THRU BULKHEAD JAM NUT COMMERCIAL EQUAL
HERMETIC GLASS-TO-METAL SEALED
(VACUUM / PRESSURE FEED THRUS)



PART NO.	A THREAD CLASS 2A †	B ±.015	C MIN.	D ±.015	E ±.015	G ±.015	H ±.015	J MAX.	K MAX.	L MAX.
DSBFH-16-*P-001	1.000-20 UNEF	1.500	1.094	.281	.141	1.563	1.313	1.135	.939	.350
DSBFH-18-*P-001	1.125-18 UNEF	1.500	1.094	.281	.141	1.688	1.438	1.260	1.057	.350
DSBFH-20-*P-001	1.250-18 UNEF	1.500	1.094	.281	.141	1.813	1.563	1.385	1.182	.350
DSBFH-22-*P-001	1.375-18 UNEF	1.500	1.094	.281	.141	1.938	1.688	1.510	1.307	.350
DSBFH-28-*P-001	1.750-18 UNS	1.500	1.094	.281	.141	2.313	2.062	1.885	1.682	.350



ENGAGING FACE PIN INSERTS

* ADD DESIRED INSERT ARRANGEMENT.

▼ = INSERT ARRANGEMENT IS SHOWN IN NORMAL POSITION.

† AFTER PLATING, SUBJECT TO ACCEPTANCE USING A BASIC CLASS 3A GO GAGE.

OTHER SHELL SIZES, PIN PATTERNS AND INSERT POSITIONS MAY BE AVAILABLE - CONSULT FACTORY.

MATERIAL: STANDARD IS CRS SHELL, 52 NICKEL ALLOY PINS AND NO INTERFACIAL SEAL.

STANDARD PIN IS EYELET TYPE, OTHER PIN TYPES ALSO AVAILABLE (SOLDER CUP, STRAIGHT) - CONSULT FACTORY.

STANDARD FINISH IS TIN PLATED SHELL AND PINS.

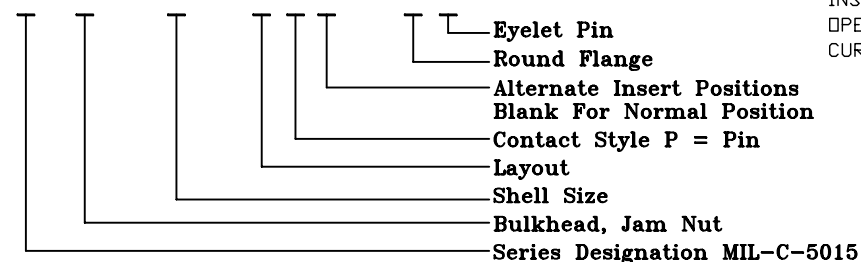
OTHER FINISHES ALSO AVAILABLE (GOLD, NICKEL, OLIVE DRAB, etc.) - CONSULT FACTORY.

SPECIALS CAN BE SUPPLIED TO MEET CUSTOMER SPECIFICATIONS - CONSULT FACTORY.

OUR CONNECTORS MATE WITH ANY PLUG WITH SOCKET CONTACTS WHICH MEET THE DIMENSIONAL REQUIREMENTS OF MIL-C-5015 AND MIL-STD-3106.

PART NUMBERING SYSTEM

DS BFH - 20 - 27 P * - 00 1



GENERAL SPECIFICATIONS

AIR LEAKAGE: 1×10^{-6} CM³/SEC AT 15psi

INSULATION RESISTANCE: 5,000 megohms AT 500VDC

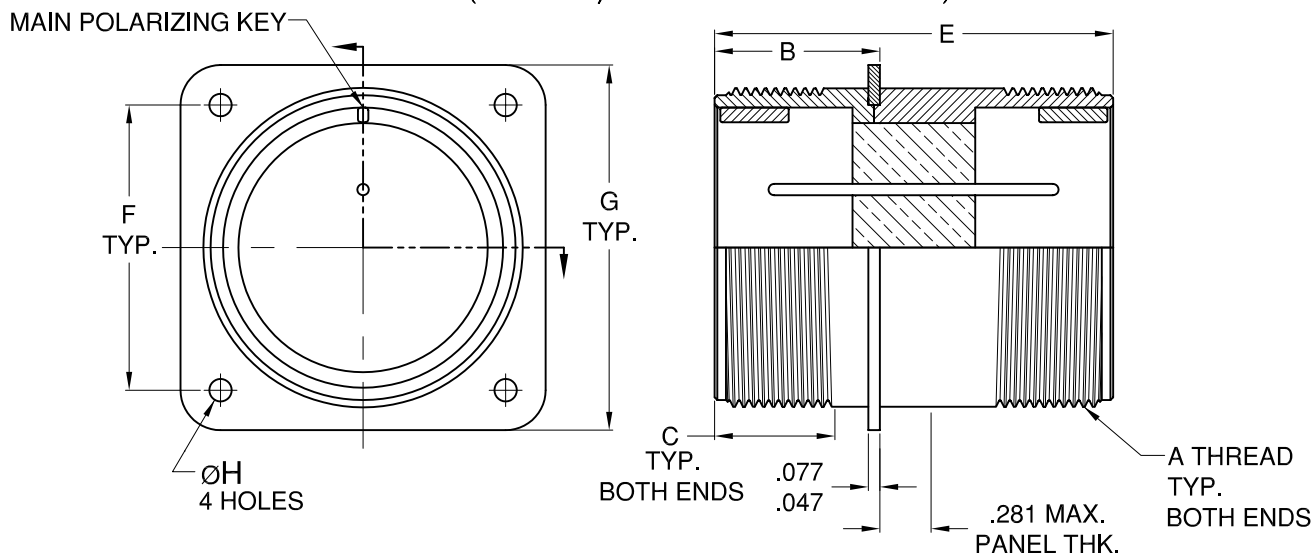
OPERATING TEMPERATURE: -67°F TO +347°F (-55°C TO +175°C)

CURRENT RATING: SIZE 16: 10 AMPS, SIZE 12: 17 AMPS

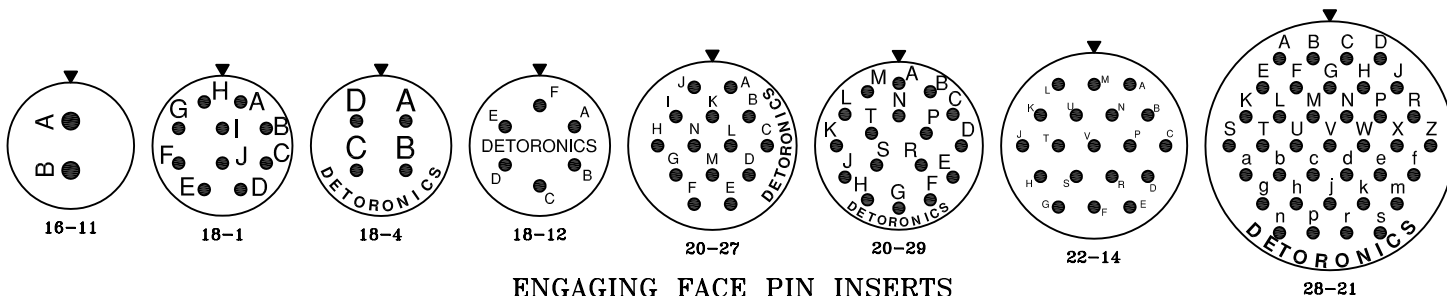
DETORONICS CORPORATION
10660 EAST RUSH STREET, SO. EL MONTE, CA 91733
TELE: (626) 579-7130 FAX: (626) 579-1936
www.detoronics.com

MINIATURE HERMETIC ELECTRONIC CONNECTORS—DSTBFH SERIES

MIL-C-5015 TYPE, THRU BULKHEAD COMMERCIAL EQUAL
HERMETIC GLASS-TO-METAL SEALED
(VACUUM / PRESSURE FEED THRUS)



PART NO.	A THREAD CLASS 2A †	B MAX.	C MIN.	E MAX.	F ±.005	G ±.031	ØH ±.005
DSTBFH-16-*PP-110	1.000-20 UNEF	.915	.625	2.072	.969	1.281	.120
DSTBFH-18-*PP-110	1.125-18 UNEF	.915	.625	2.072	1.062	1.375	.120
DSTBFH-20-*PP-110	1.250-18 UNEF	.915	.625	2.072	1.156	1.500	.120
DSTBFH-22-*PP-110	1.375-18 UNEF	.915	.625	2.197	1.250	1.625	.120
DSTBFH-28-*PP-110	1.750-18 UNS	.915	.625	2.197	1.562	2.000	.147



ENGAGING FACE PIN INSERTS

* ADD DESIRED INSERT ARRANGEMENT.

▼ = INSERT ARRANGEMENT IS SHOWN IN NORMAL POSITION.

† AFTER PLATING, SUBJECT TO ACCEPTANCE USING A BASIC CLASS 3A GO GAGE.

OTHER SHELL SIZES, PIN PATTERNS AND INSERT POSITIONS MAY BE AVAILABLE - CONSULT FACTORY.

MATERIAL: STANDARD IS CRS SHELL, 52 NICKEL ALLOY PINS AND NO INTERFACIAL SEAL.

STANDARD FINISH IS TIN PLATED SHELL AND PINS.

OTHER FINISHES ALSO AVAILABLE (GOLD, NICKEL, OLIVE DRAB, etc.) - CONSULT FACTORY.

SPECIALS CAN BE SUPPLIED TO MEET CUSTOMER SPECIFICATIONS - CONSULT FACTORY.

OUR CONNECTORS MATE WITH ANY PLUG WITH SOCKET CONTACTS WHICH MEET THE DIMENSIONAL REQUIREMENTS OF MIL-C-5015 AND MIL-STD-3106.

GENERAL SPECIFICATIONS

AIR LEAKAGE: 1×10^{-6} CM³/SEC AT 15psi

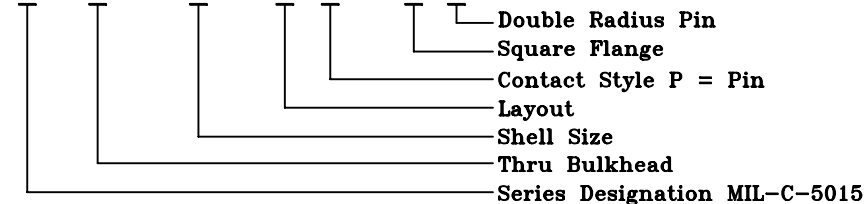
INSULATION RESISTANCE: 5,000 megohms AT 500VDC

OPERATING TEMPERATURE: -67°F TO +347°F (-55°C TO +175°C)

CURRENT RATING: SIZE 16: 10 AMPS, SIZE 12: 17 AMPS

PART NUMBERING SYSTEM

DS TBFH - 20 - 27 PP - 11 0

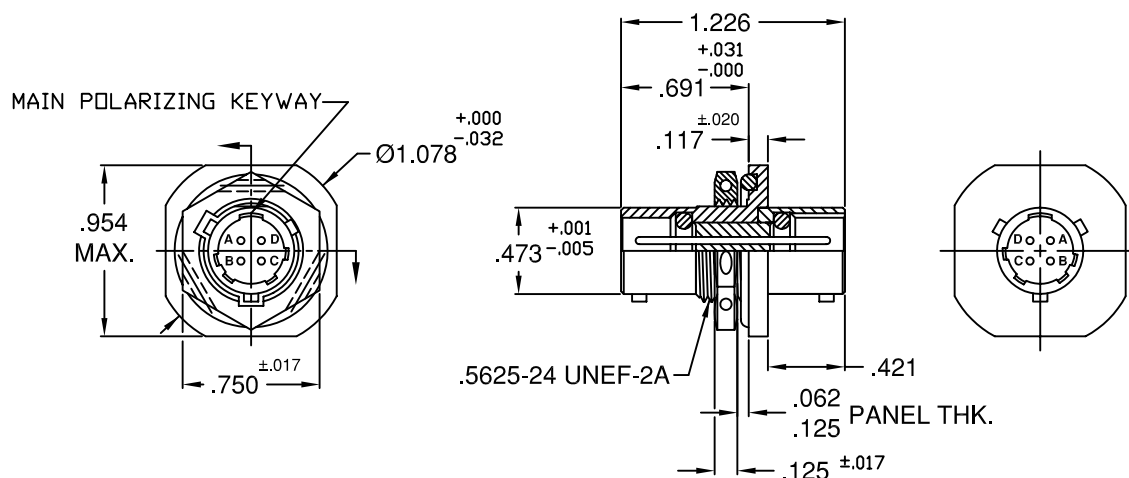


DETORONICS CORPORATION
10660 EAST RUSH STREET, SO. EL MONTE, CA 91733
TELE: (626) 579-7130 FAX: (626) 579-1936
www.detoronics.com

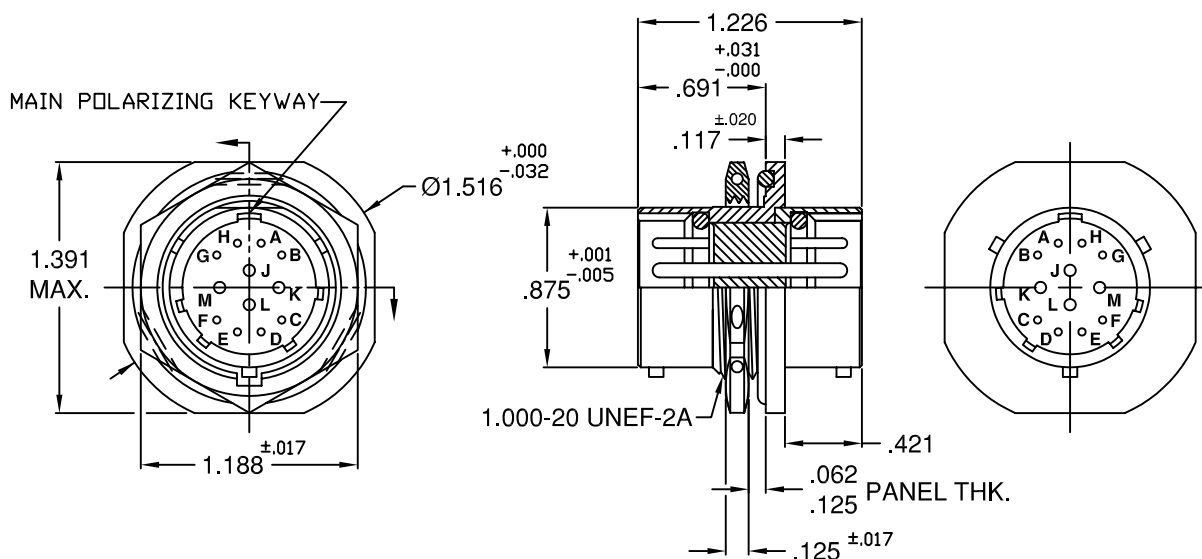
MINIATURE BULK HEAD ELECTRONIC CONNECTORS-DT7BFH SERIES

MIL-C-26482 TYPE, COMMERCIAL EQUAL
HERMETIC GLASS-TO-METAL SEALED
(VACUUM / PRESSURE FEED THRU)

DT7BFH-8-4PN



DT7BFH-14-12PN



AFTER PLATING, THREAD SUBJECT TO ACCEPTANCE USING A BASIC CLASS 3A GO GAGE.

MATERIAL: STANDARD IS CRS SHELL, 52 NICKEL ALLOY PINS, SILICONE INTERNAL O-RINGS, AND NITRILE EXTERNAL O-RING.

STANDARD FINISH IS TIN PLATED SHELL AND PINS.

OTHER FINISHES ALSO AVAILABLE (GOLD, NICKEL, OLIVE DRAB, etc.) - CONSULT FACTORY.

SPECIALS CAN BE SUPPLIED TO MEET CUSTOMER SPECIFICATIONS - CONSULT FACTORY.

OUR CONNECTORS MATE WITH ANY PLUG WITH SOCKET CONTACTS WHICH MEET THE DIMENSIONAL REQUIREMENTS OF MIL-C-26482 AND MIL-STD-3116.

GENERAL SPECIFICATIONS

AIR LEAKAGE: 1×10^{-6} CM³/SEC AT 15psi

INSULATION RESISTANCE: 5,000 megohms AT 500VDC

OPERATING TEMPERATURE: -67°F TO +257°F (-55°C TO +125°C)

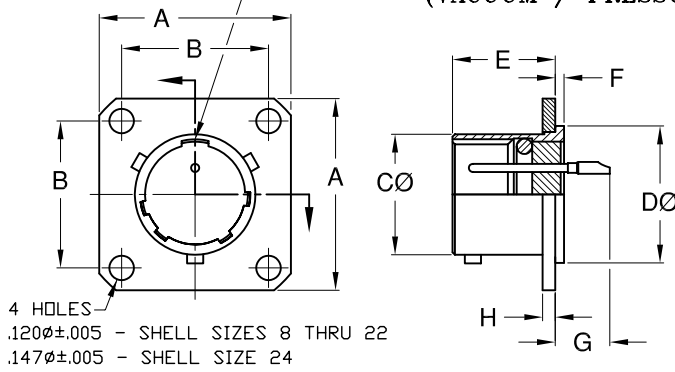
CURRENT RATING: SIZE 20: 5 AMPS, SIZE 16: 10 AMPS

DETRONICS CORPORATION
10660 EAST RUSH STREET, SO. EL MONTE, CA 91733
TELE: (626) 579-7130 FAX: (626) 579-1936
www.detrronics.com

MINIATURE HERMETIC ELECTRONIC CONNECTORS-DT SERIES

MIL-C-26482 TYPE, COMMERCIAL EQUAL HERMETIC GLASS-TO-METAL SEALED (VACUUM / PRESSURE FEED THRU)

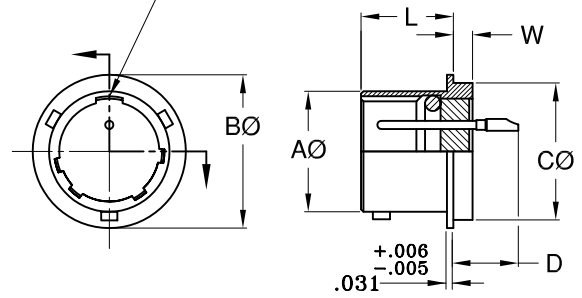
MAIN POLARIZING KEYWAY



PART NO.	A ±.016	B TYP.	CØ +.001 -.005	DØ +.001 -.005	E +.025 -.015	F ±.016	G MAX.	H ±.016
DT02H-8-#PN	.812	.594	.473	.562	.494	.047	.344	.062
DT02H-10-#PN	.938	.719	.590	.672	.494	.047	.344	.062
DT02H-12-#PN	1.031	.812	.750	.781	.494	.047	.344	.062
DT02H-14-#PN	1.125	.906	.875	.906	.494	.047	.344	.062
DT02H-16-#PN	1.219	.969	1.000	1.031	.494	.047	.344	.062
DT02H-18-#PN	1.312	1.062	1.125	1.156	.494	.047	.344	.062
DT02H-20-#PN	1.438	1.156	1.250	1.220	.556	.047	.344	.094
DT02H-22-#PN	1.562	1.250	1.375	1.340	.556	.079	.377	.094
DT02H-24-#PN	1.688	1.375	1.500	1.470	.588	.079	.377	.094

**DT02H - FLANGE MOUNT CONNECTORS
(MIL-STD-3112H TYPE)**

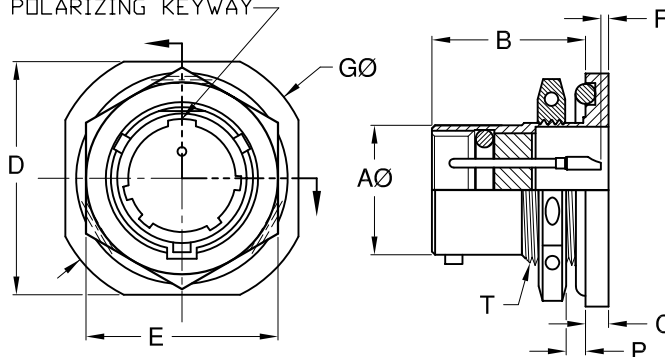
MAIN POLARIZING KEYWAY



PART NO.	AØ +.001 -.005	BØ MAX.	CØ +.001 -.005	D MAX.	L +.025 -.016	W +.011 -.010
DT1H-8-#PN	.473	.636	.562	.386	.447	.094
DT1H-10-#PN	.590	.761	.672	.386	.447	.094
DT1H-12-#PN	.750	.855	.781	.386	.447	.094
DT1H-14-#PN	.875	.980	.906	.386	.447	.094
DT1H-16-#PN	1.000	1.105	1.031	.386	.447	.094
DT1H-18-#PN	1.125	1.229	1.156	.386	.447	.094
DT1H-20-#PN	1.250	1.323	1.250	.386	.509	.094
DT1H-22-#PN	1.375	1.449	1.375	.418	.509	.125
DT1H-24-#PN	1.500	1.574	1.500	.418	.542	.125

**DT1H - SOLDER MOUNT CONNECTORS
(MIL-STD-3113H TYPE)**

MAIN POLARIZING KEYWAY



PART NO.	AØ +.001 -.005	B +.031 -.000	C ±.020	D MAX.	E HEX ±.017	F PIN ±.030	GØ +.000 -.032	P PANEL THK. MIN. MAX.	T THREAD UNEF-2A †
DT07H-8-#PN	.473	.691	.117	.954	.750	.025	1.078	.062 .125	.5625-24
DT07H-10-#PN	.590	.691	.117	1.078	.875	.025	1.203	.062 .125	.6875-24
DT07H-12-#PN	.750	.691	.117	1.266	1.062	.025	1.391	.062 .125	.875-20
DT07H-14-#PN	.875	.691	.117	1.391	1.188	.025	1.516	.062 .125	1.000-20
DT07H-16-#PN	1.000	.691	.117	1.516	1.312	.025	1.641	.062 .125	1.125-18
DT07H-18-#PN	1.125	.691	.117	1.641	1.438	.025	1.766	.062 .125	1.250-18
DT07H-20-#PN	1.250	.879	.148	1.828	1.562	.190	1.954	.062 .250	1.375-18
DT07H-22-#PN	1.375	.879	.148	1.954	1.688	.190	2.078	.062 .250	1.500-18
DT07H-24-#PN	1.500	.912	.148	2.078	1.812	.220	2.203	.062 .250	1.625-18

DT07H - JAM NUT MOUNT CONNECTORS (MIL-STD-3114H TYPE)

* ADD DESIRED INSERT ARRANGEMENT.

▼ INSERT ARRANGEMENT IS SHOWN IN NORMAL POSITION.

† AFTER PLATING, SUBJECT TO ACCEPTANCE USING A BASIC CLASS 3A GO GAGE.

OTHER PIN PATTERNS AND INSERT POSITIONS MAY BE AVAILABLE -CONSULT FACTORY.

MATERIAL: STANDARD IS CRS SHELL, 52 NICKEL ALLOY PINS AND SILICONE O-RING ONLY.

STANDARD PIN IS SOLDER CUP TYPE. OTHER PIN TYPES ALSO AVAILABLE

(EYELET, STRAIGHT, THERMOCOUPLE) - CONSULT FACTORY.

STANDARD FINISH IS TIN PLATED SHELL AND PINS.

OTHER FINISHES ALSO AVAILABLE (GOLD, NICKEL, OLIVE DRAB, etc.) - CONSULT FACTORY.

SPECIALS CAN BE SUPPLIED TO MEET CUSTOMER SPECIFICATIONS - CONSULT FACTORY.

OUR CONNECTORS MATE WITH ANY PLUG WITH SOCKET CONTACTS WHICH MEET

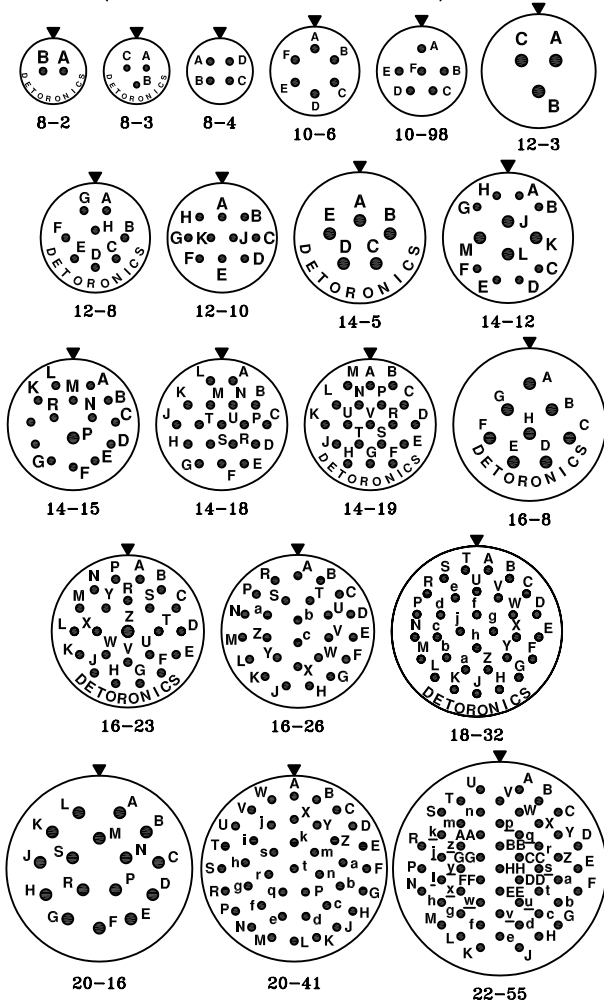
THE DIMENSIONAL REQUIREMENTS OF MIL-C-26482 AND MIL-STD-3116.

GENERAL SPECIFICATIONS

AIR LEAKAGE: 1x10⁻⁶ CM³/SEC AT 15psi

INSULATION RESISTANCE: 5,000 megohms AT 500VDC

OPERATING TEMPERATURE: -67°F TO +257°F (-55°C TO +125°C)

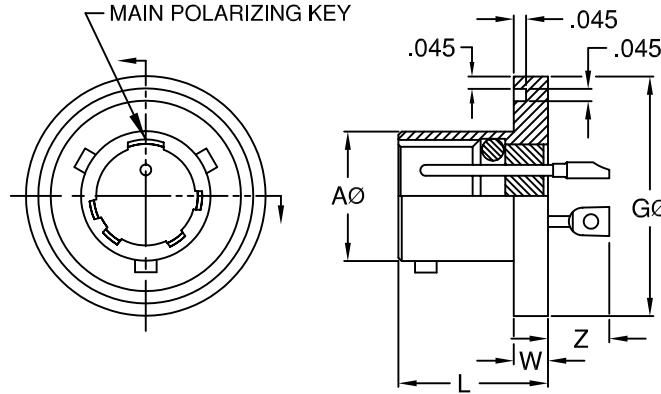


ENGAGING FACE PIN INSERTS

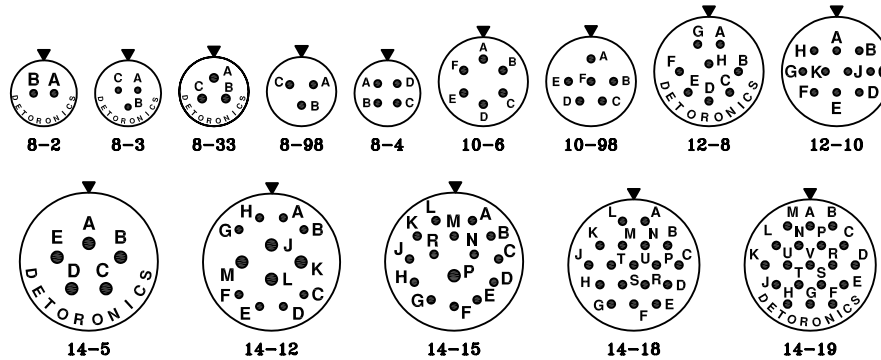
DETORONICS CORPORATION
10660 EAST RUSH STREET, SO. EL MONTE, CA 91733
TELE: (626) 579-7130 FAX: (626) 579-1936
www.detoronics.com

MINIATURE HERMETIC ELECTRONIC CONNECTORS—DTW03H SERIES

MIL-C-26482 TYPE WELD MOUNT, COMMERCIAL EQUAL
HERMETIC GLASS-TO-METAL SEALED
(VACUUM / PRESSURE FEED THRUS)



PART NO.	AØ +.001 -.005	GØ ±.010	L +.025 -.016	W ±.010	Z MAX.
DTW03H-8-*PN	.473	.875	.541	.125	.292
DTW03H-10-*PN	.590	1.000	.541	.125	.292
DTW03H-12-*PN	.750	1.125	.541	.125	.292
DTW03H-14-*PN	.875	1.250	.541	.125	.292



ENGAGING FACE PIN INSERTS

* ADD DESIRED INSERT ARRANGEMENT.

▼ = INSERT ARRANGEMENT IS SHOWN IN NORMAL POSITION.

OTHER SHELL SIZES, PIN PATTERNS AND INSERT POSITIONS MAY BE AVAILABLE - CONSULT FACTORY.

MATERIAL: STANDARD IS 304L-SST SHELL, 52 NICKEL ALLOY PINS AND SILICONE O-RING ONLY.

STANDARD PIN IS SOLDER CUP TYPE. OTHER PIN TYPES ALSO AVAILABLE (EYELET, STRAIGHT) - CONSULT FACTORY.

STANDARD FINISH IS GOLD PLATED PINS ONLY.

SPECIALS CAN BE SUPPLIED TO MEET CUSTOMER SPECIFICATIONS - CONSULT FACTORY.

OUR CONNECTORS MATE WITH ANY PLUG WITH SOCKET CONTACTS WHICH MEET THE DIMENSIONAL REQUIREMENTS OF MIL-C-26482 AND MIL-STD-3116.

GENERAL SPECIFICATIONS

AIR LEAKAGE: 1×10^{-6} CM³/SEC AT 15psi

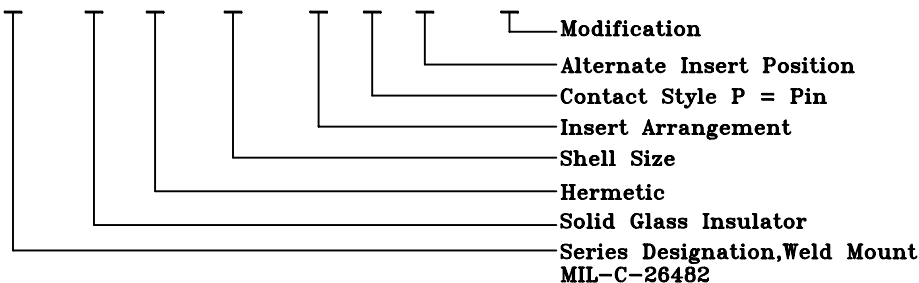
INSULATION RESISTANCE: 5,000 megohms AT 500VDC

OPERATING TEMPERATURE: -67°F TO +257°F (-55°C TO +125°C)

CURRENT RATING: SIZE 20: 5 AMPS, SIZE 16: 10 AMPS

PART NUMBERING SYSTEM

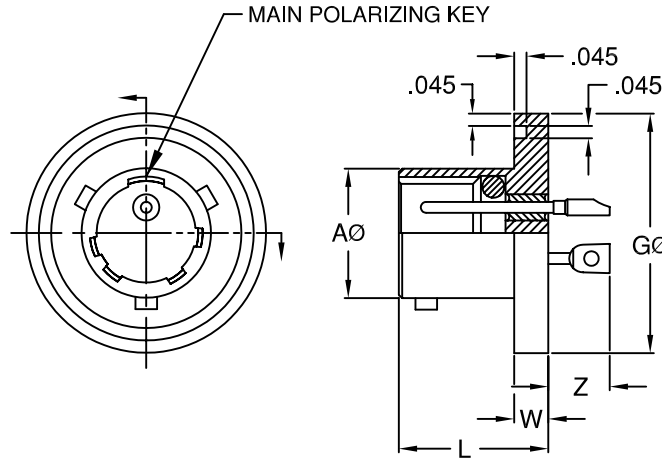
DTW 03 H - 12 - 10 P N - ***



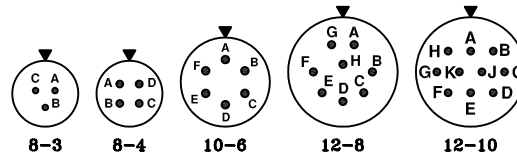
DETORONICS CORPORATION
10660 EAST RUSH STREET, SO. EL MONTE, CA 91733
TELE: (626) 579-7130 FAX: (626) 579-1936
www.detoronics.com

MINIATURE HERMETIC ELECTRONIC CONNECTORS—DTW04H SERIES

MIL-C-26482 TYPE WELD MOUNT, COMMERCIAL EQUAL
HERMETIC GLASS-TO-METAL SEALED WITH INDIVIDUAL INSULATORS
(VACUUM / PRESSURE FEED THRUS)



PART NO.	AØ +.001 -.005	GØ ±.010	L +.025 -.016	W ±.010	Z MAX.
DTW04H-8-*PN	.473	.875	.541	.125	.292
DTW04H-10-*PN	.590	1.000	.541	.125	.292
DTW04H-12-*PN	.750	1.125	.541	.125	.292



ENGAGING FACE PIN INSERTS

* ADD DESIRED INSERT ARRANGEMENT.

▼ = INSERT ARRANGEMENT IS SHOWN IN NORMAL POSITION.

OTHER SHELL SIZES, PIN PATTERNS AND INSERT POSITIONS MAY BE AVAILABLE - CONSULT FACTORY.

MATERIAL: STANDARD IS 304L-SST SHELL, 52 NICKEL ALLOY PINS AND SILICONE O-RING ONLY.

STANDARD PIN IS SOLDER CUP TYPE. OTHER PIN TYPES ALSO AVAILABLE (EYELET, STRAIGHT) - CONSULT FACTORY.

STANDARD FINISH IS GOLD PLATED PINS ONLY.

SPECIALS CAN BE SUPPLIED TO MEET CUSTOMER SPECIFICATIONS - CONSULT FACTORY.

OUR CONNECTORS MATE WITH ANY PLUG WITH SOCKET CONTACTS WHICH MEET THE DIMENSIONAL REQUIREMENTS OF MIL-C-26482 AND MIL-STD-3116.

GENERAL SPECIFICATIONS

AIR LEAKAGE: 1×10^{-6} CM³/SEC AT 15psi

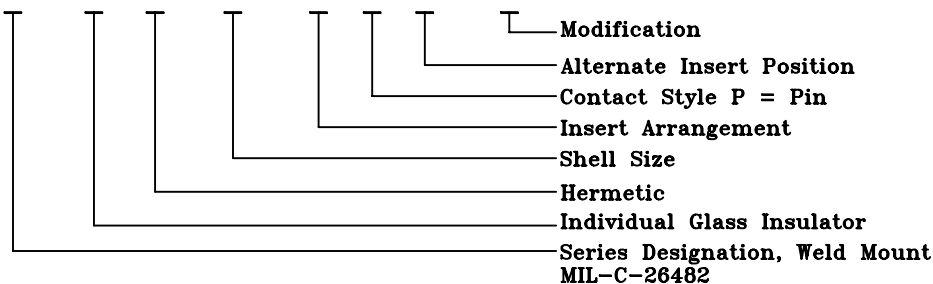
INSULATION RESISTANCE: 5,000 megohms AT 500VDC

OPERATING TEMPERATURE: -67°F TO +257°F (-55°C TO +125°C)

CURRENT RATING: SIZE 20: 5 AMPS

PART NUMBERING SYSTEM

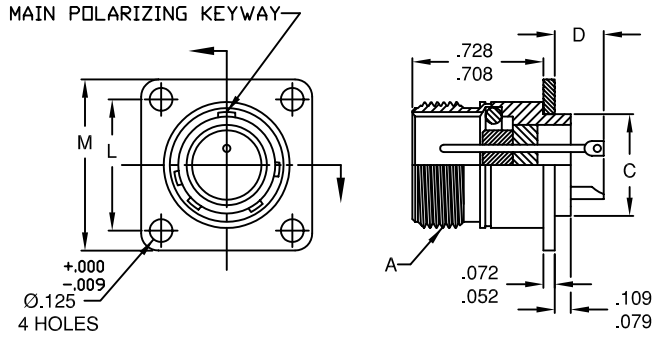
DTW 04 H - 12 - 10 P N - ***



DETORONICS CORPORATION
10660 EAST RUSH STREET, SO. EL MONTE, CA 91733
TELE: (626) 579-7130 FAX: (626) 579-1936
www.detoronics.com

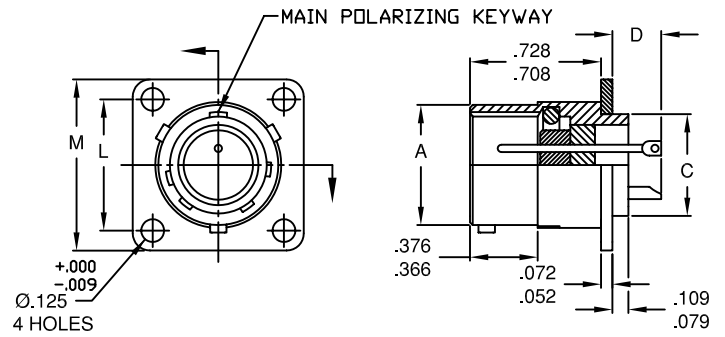
MINIATURE HERMETIC ELECTRONIC CONNECTORS-DX SERIES

MIL-C-26500 TYPE, COMMERCIAL EQUAL HERMETIC GLASS-TO-METAL SEALED (VACUUM / PRESSURE FEED THRU)



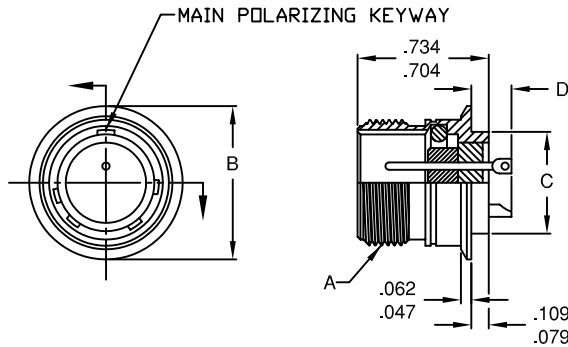
**DX02H-*T - SQUARE FLANGE THREADED
(MIL-STD-24264T TYPE)**

PART NO.	A † THREAD UNEF-2A	øC MAX.	D MAX. SIZE OF CONTACTS		L (TYP) C-CL	M (TYP) ±.005
			#12 & #16	#20		
DX02H-10T-*PN	11/16-24	.562	.400	.330	.719	.937
DX02H-12T-*PN	7/8-20	.750	.400	.330	.812	1.031
DX02H-14T-*PN	15/16-20	.812	.400	.330	.906	1.125
DX02H-16T-*PN	1-1/16-18	.938	.400	.330	.969	1.250



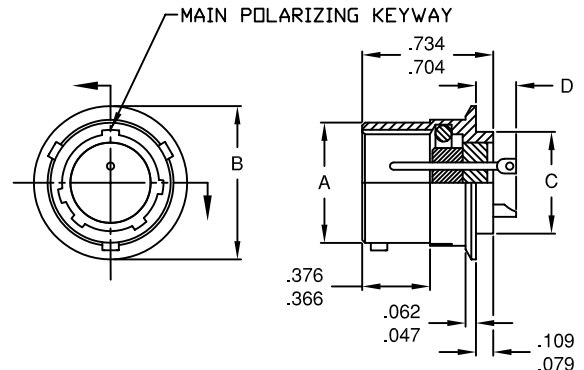
**DX02H-*B - SQUARE FLANGE BAYONET
(MIL-STD-24264B TYPE)**

PART NO.	øA +0.000 -0.005	øC MAX.	D MAX. SIZE OF CONTACTS		L (TYP) C-CL	M (TYP) ±.005
			#12 & #16	#20		
DX02H-10B-*PN	.659	.562	.400	.330	.719	.937
DX02H-12B-*PN	.829	.750	.400	.330	.812	1.031
DX02H-14B-*PN	.898	.812	.400	.330	.906	1.125
DX02H-16B-*PN	1.025	.938	.400	.330	.969	1.250



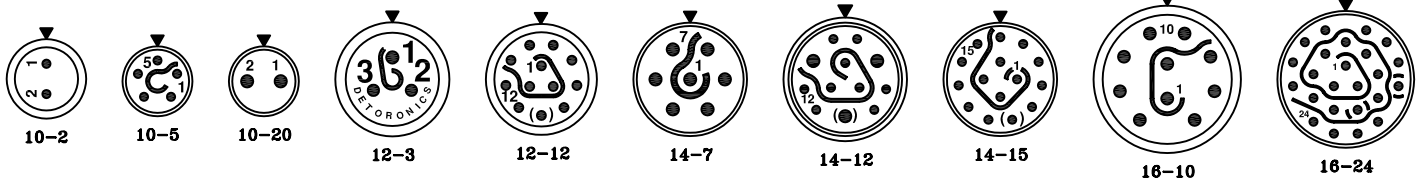
**DX1H-*T - SOLDER MOUNT THREADED
(MIL-STD-27034T TYPE)**

PART NO.	A † THREAD UNEF-2A	øB ±.020	øC MAX.	D MAX. SIZE OF CONTACTS	
				#12 & #16	#20
DX1H-10T-*PN	11/16-24	.840	.562	.400	.330
DX1H-12T-*PN	7/8-20	1.045	.750	.400	.330
DX1H-14T-*PN	15/16-20	1.090	.812	.400	.330
DX1H-16T-*PN	1-1/16-18	1.210	.937	.400	.330



**DX1H-*B - SOLDER MOUNT BAYONET
(MIL-STD-27034B TYPE)**

PART NO.	øA +0.000 -0.005	øB ±.020	øC MAX.	D MAX. SIZE OF CONTACTS	
				#12 & #16	#20
DX1H-10B-*PN	.659	.840	.562	.400	.330
DX1H-12B-*PN	.829	1.045	.750	.400	.330
DX1H-14B-*PN	.898	1.090	.812	.400	.330
DX1H-16B-*PN	1.025	1.210	.937	.400	.330



* ADD DESIRED INSERT ARRANGEMENT.

▼ = INSERT ARRANGEMENT IS SHOWN IN NORMAL POSITION.

† AFTER PLATING, SUBJECT TO ACCEPTANCE USING A BASIC CLASS 3A GO GAGE.

OTHER SHELL SIZES, PIN PATTERNS AND INSERT POSITIONS MAY BE AVAILABLE - CONSULT FACTORY.

MATERIAL: STANDARD IS CRS SHELL, 52 NICKEL ALLOY PINS, SILICONE INTERFACIAL SEAL AND O-RING.

STANDARD PIN IS EYELET TYPE. OTHER PIN TYPES ALSO AVAILABLE (SOLDER CUP, STRAIGHT, THERMOCOUPLE) - CONSULT FACTORY.

STANDARD FINISH IS TIN PLATED SHELL AND PINS.

OTHER FINISHES ALSO AVAILABLE (GOLD, NICKEL, OLIVE DRAB, etc.) - CONSULT FACTORY.

SPECIALS CAN BE SUPPLIED TO MEET CUSTOMER SPECIFICATIONS - CONSULT FACTORY.

OUR CONNECTORS MATE WITH ANY PLUG WITH SOCKET CONTACTS WHICH MEET THE DIMENSIONAL REQUIREMENTS OF MIL-C-26500, MIL-STD-24266B AND MIL-STD-24266T.

GENERAL SPECIFICATIONS

AIR LEAKAGE: 1x10⁻⁷ CM³/SEC AT 15psi

INSULATION RESISTANCE: 5,000 megohms AT 500VDC

OPERATING TEMPERATURE: -67°F TO +500°F (-55°C TO +260°C)

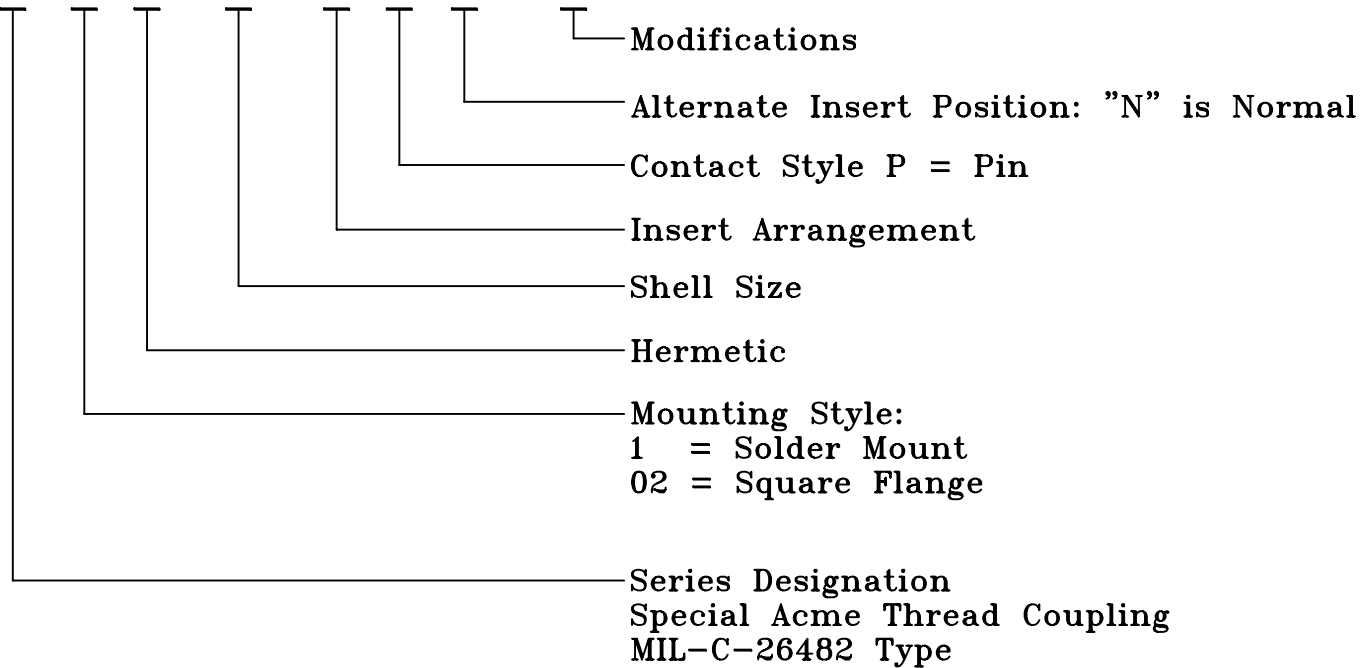
ENGAGING FACE PIN INSERTS

DETORONICS CORPORATION
10660 EAST RUSH STREET, SO. EL MONTE, CA 91733
TELE: (626) 579-7130 FAX: (626) 579-1936
www.detoronics.com

MIL-C-26482 TYPE, DC SERIES
(COMMERCIAL EQUAL - HERMETIC)

PART NUMBERING SYSTEM

DC 1 H-10-6 P N-***



GENERAL SPECIFICATIONS

MATERIAL

Shell, Key and Flange: Carbon Steel
Pins: 52 Nickel Alloy
Seals: None
Insulator: Glass

CURRENT RATING

Size 20: 5 AMPS

AIR LEAKAGE

1x10⁻⁶ CM³/SEC AT 15psi

INSULATION RESISTANCE

5,000 megohms AT 500VDC

OPERATING TEMPERATURE

-67°F TO +257°F (-55°C TO +125°C)

STANDARD PIN IS SOLDER CUP TYPE. OTHER PIN TYPES ALSO AVAILABLE
(EYELET, STRAIGHT, THERMOCOUPLE) - CONSULT FACTORY.

STANDARD FINISH IS TIN PLATED SHELL AND PINS.
OTHER FINISHES ALSO AVAILABLE (GOLD, NICKEL, OLIVE DRAB, etc.) - CONSULT FACTORY.

SPECIALS CAN BE SUPPLIED TO MEET CUSTOMER SPECIFICATIONS - CONSULT FACTORY.

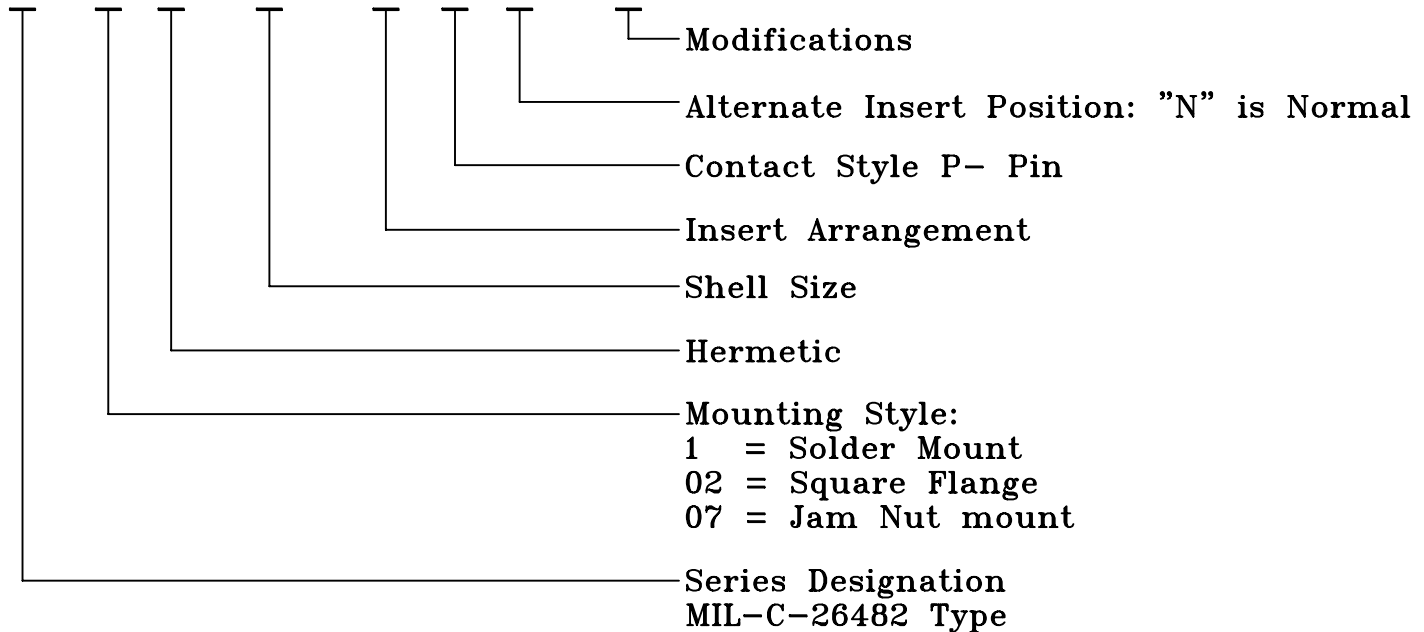
OUR CONNECTORS MATE WITH ANY PLUG WITH SOCKET CONTACTS WHICH MEET
THE DIMENSIONAL REQUIREMENTS OF MIL-C-26482 AND MIL-STD-3116.

DETORONICS CORPORATION
10660 EAST RUSH STREET, SO. EL MONTE, CA 91733
TELE: (626) 579-7130 FAX: (626) 579-1936
www.detoronics.com

MIL-C-26482 TYPE, DFC FLEX CIRCUIT SERIES
(COMMERCIAL EQUAL - HERMETIC)

PART NUMBERING SYSTEM

DFC 1 H - 22 - 55 P N - ***



GENERAL SPECIFICATIONS

MATERIAL

Shell, Bayonet and Flange: Carbon Steel
Pins: 52 Nickel Alloy (Step Pin $\phi.040$ " TO $\phi.025$ ")
Seals: Silicone O-Ring only
Insulator: Glass

CURRENT RATING

Size 20: 5 AMPS

AIR LEAKAGE

1×10^{-6} CM³/SEC AT 15psi

INSULATION RESISTANCE

5,000 megohms AT 500VDC

OPERATING TEMPERATURE

-67°F TO +257°F (-55°C TO +125°C)

STANDARD FINISH IS TIN PLATED SHELL AND PINS.

OTHER FINISHES ALSO AVAILABLE (GOLD, NICKEL, OLIVE DRAB, etc.) - CONSULT FACTORY.

SPECIALS CAN BE SUPPLIED TO MEET CUSTOMER SPECIFICATIONS - CONSULT FACTORY.

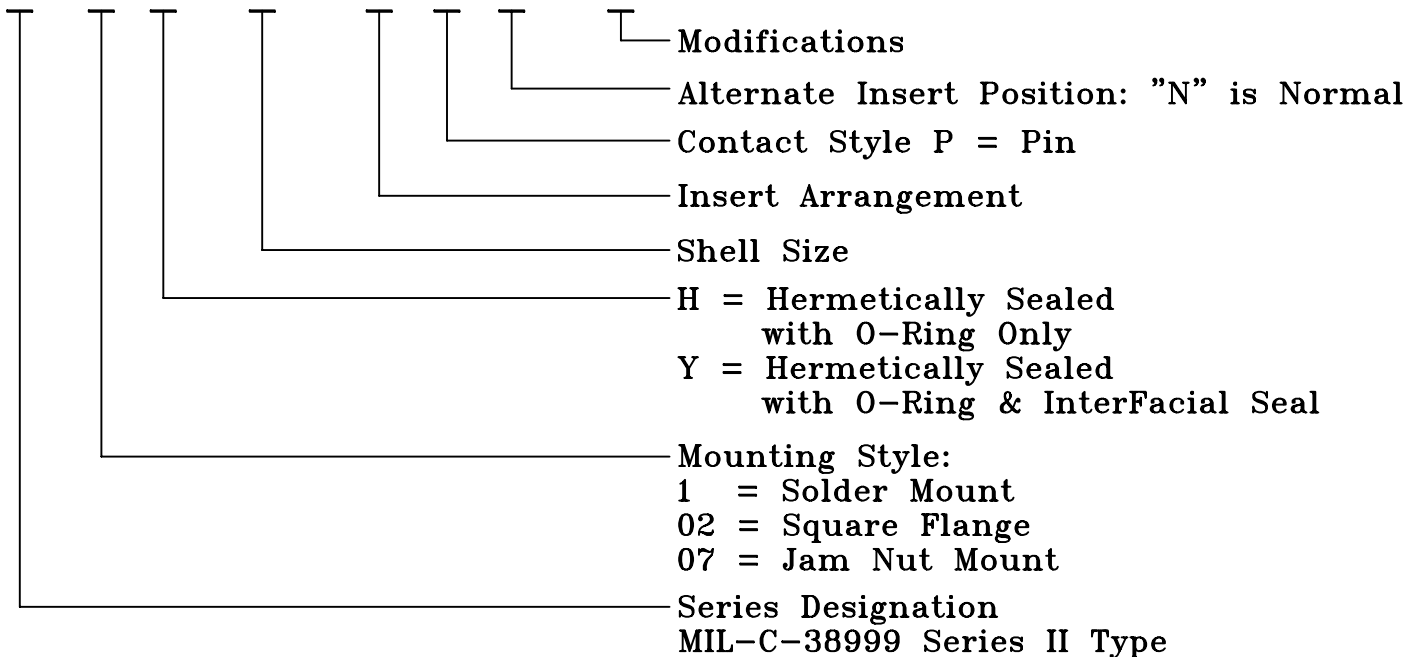
OUR CONNECTORS MATE WITH ANY PLUG WITH SOCKET CONTACTS WHICH MEET THE DIMENSIONAL REQUIREMENTS OF MIL-C-26482 AND MIL-STD-3116.

DETORONICS CORPORATION
10660 EAST RUSH STREET, SO. EL MONTE, CA 91733
TELE: (626) 579-7130 FAX: (626) 579-1936
www.detoronics.com

MIL-C-38999 SERIES II TYPE, DJ SERIES
(COMMERCIAL EQUAL - HERMETIC)

PART NUMBERING SYSTEM

DJT 1 H - 22 - 55 P N - ***



GENERAL SPECIFICATIONS

MATERIAL

Shell, Bayonet and Flange: Carbon Steel
Pins: 52 Nickel Alloy
Seals: Silicone O-Ring Only
Insulator: Glass

CURRENT RATING

Size 22: 3 AMPS
Size 20: 5 AMPS
Size 16: 10 AMPS

AIR LEAKAGE

1×10^{-7} CM³/SEC AT 15psi

INSULATION RESISTANCE

5,000 megohms AT 500VDC

OPERATING TEMPERATURE

39°F TO +201°F (4°C TO +90°C)

STANDARD PIN IS SOLDER CUP TYPE. OTHER PIN TYPES ALSO AVAILABLE (EYELET, STRAIGHT) - CONSULT FACTORY.

STANDARD FINISH IS TIN PLATED SHELL AND PINS. OTHER FINISHES ALSO AVAILABLE (GOLD, NICKEL, OLIVE DRAB, etc.) - CONSULT FACTORY.

SPECIALS CAN BE SUPPLIED TO MEET CUSTOMER SPECIFICATIONS - CONSULT FACTORY.

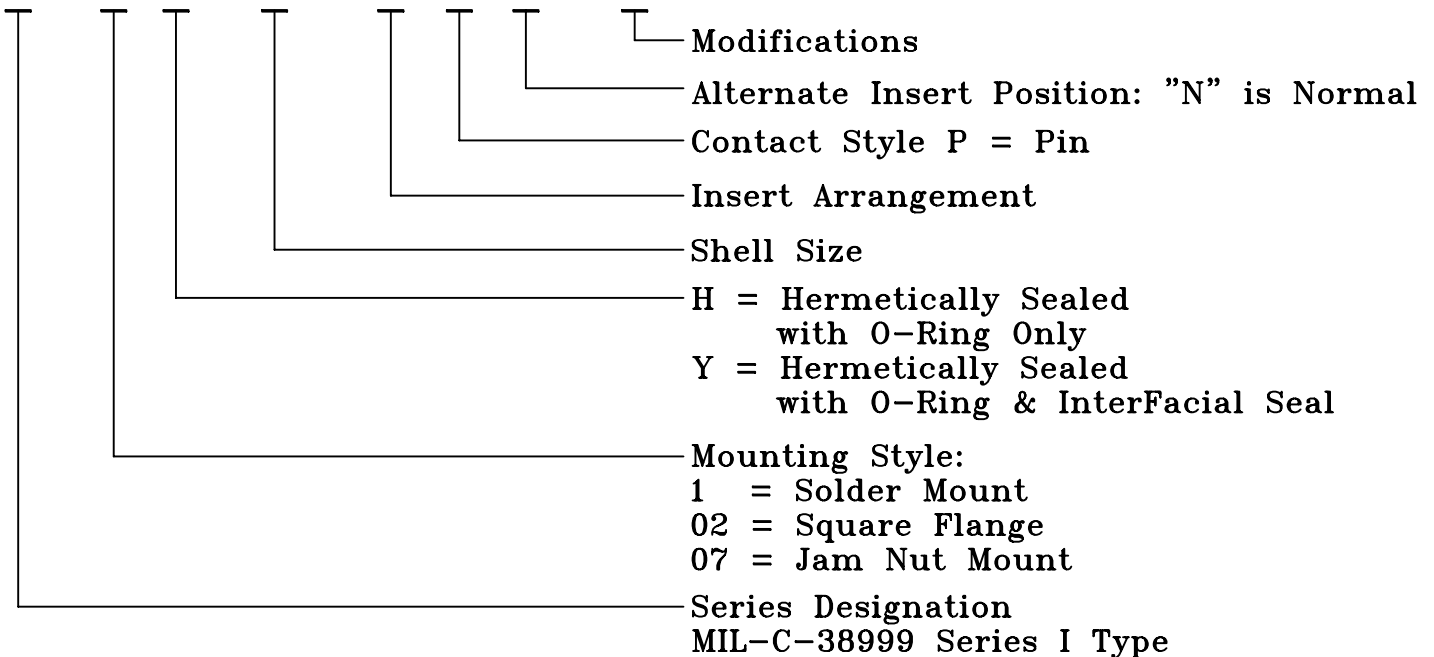
OUR CONNECTORS MATE WITH ANY PLUG WITH SOCKET CONTACTS WHICH MEET THE DIMENSIONAL REQUIREMENTS OF MIL-C-38999 AND MIL-STD-27484.

DETORONICS CORPORATION
10660 EAST RUSH STREET, SO. EL MONTE, CA 91733
TELE: (626) 579-7130 FAX: (626) 579-1936
www.detoronics.com

MIL-C-38999 SERIES I TYPE, DJL SERIES
(COMMERCIAL EQUAL - HERMETIC)

PART NUMBERING SYSTEM

DJLT 1 H - 23 - 55 P N - ***



GENERAL SPECIFICATIONS

MATERIAL

Shell, Bayonet and Flange: Carbon Steel
Pins: 52 Nickel Alloy
Seals: Silicone O-Ring Only
Insulator: Glass

CURRENT RATING

Size 22: 3 AMPS
Size 20: 5 AMPS
Size 16: 10 AMPS

AIR LEAKAGE

1x10⁻⁷ CM³/SEC AT 15psi

INSULATION RESISTANCE

5,000 megohms AT 500VDC

OPERATING TEMPERATURE

39°F TO +201°F (4°C TO +90°C)

STANDARD PIN IS SOLDER CUP TYPE. OTHER PIN TYPES ALSO AVAILABLE (EYELET, STRAIGHT) - CONSULT FACTORY.

STANDARD FINISH IS TIN PLATED SHELL AND PINS. OTHER FINISHES ALSO AVAILABLE (GOLD, NICKEL, OLIVE DRAB, etc.) - CONSULT FACTORY.

SPECIALS CAN BE SUPPLIED TO MEET CUSTOMER SPECIFICATIONS - CONSULT FACTORY.

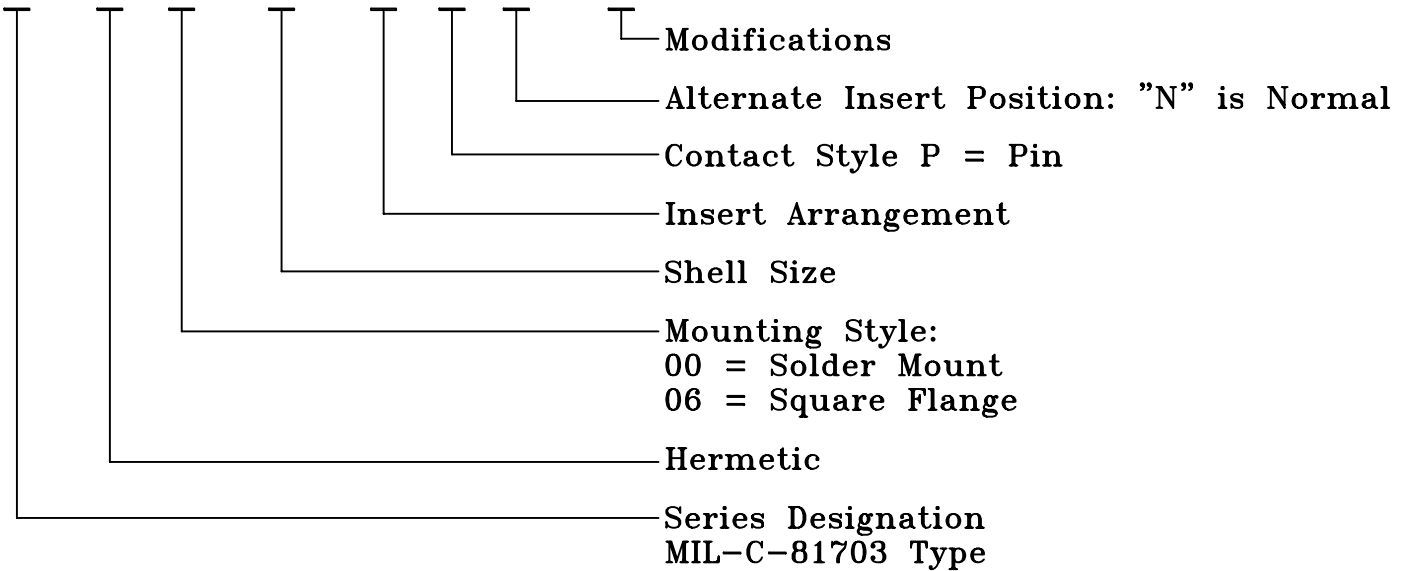
OUR CONNECTORS MATE WITH ANY PLUG WITH SOCKET CONTACTS WHICH MEET THE DIMENSIONAL REQUIREMENTS OF MIL-C-38999 AND MIL-STD-27467.

DETORONICS CORPORATION
10660 EAST RUSH STREET, SO. EL MONTE, CA 91733
TELE: (626) 579-7130 FAX: (626) 579-1936
www.detoronics.com

MIL-C-81703 TYPE, DPP SERIES
(COMMERCIAL EQUAL - HERMETIC)

PART NUMBERING SYSTEM

DPP H 00 - 7 - 50 P N - ***



GENERAL SPECIFICATIONS

MATERIAL

Shell, Key and Flange: Carbon Steel
Pins: 52 Nickel Alloy
Seals: None
Insulator: Glass

CURRENT RATING

Size 20: 5 AMPS

AIR LEAKAGE

1x10⁻⁶ CM³/SEC AT 15psi

INSULATION RESISTANCE

5,000 megohms AT 500VDC

OPERATING TEMPERATURE

-67°F TO +257°F (-55°C TO +125°C)

STANDARD PIN IS EYELET TYPE. OTHER PIN TYPES ALSO AVAILABLE
(SOLDER CUP, STRAIGHT) - CONSULT FACTORY.

STANDARD FINISH IS TIN PLATED SHELL AND PINS.
OTHER FINISHES ALSO AVAILABLE (GOLD, NICKEL, OLIVE DRAB, etc.) - CONSULT FACTORY.

SPECIALS CAN BE SUPPLIED TO MEET CUSTOMER SPECIFICATIONS - CONSULT FACTORY.

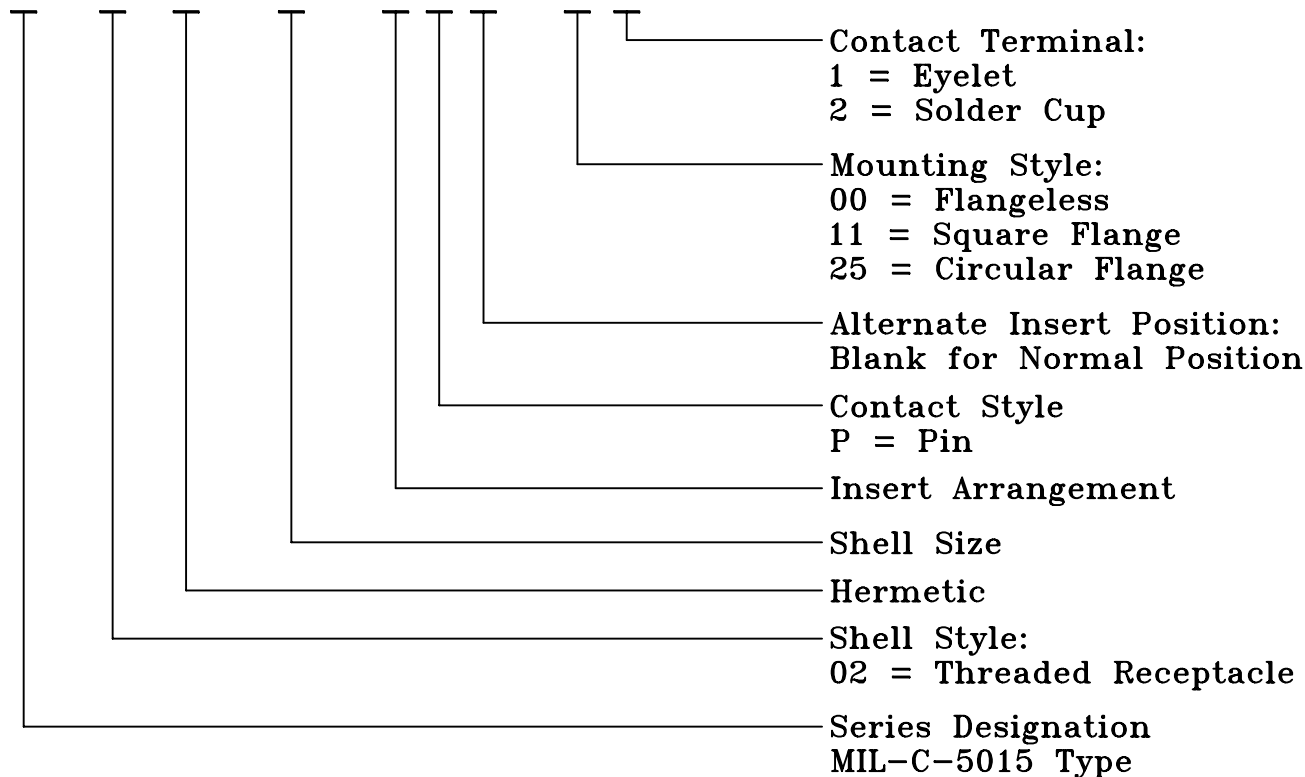
OUR CONNECTORS MATE WITH ANY PLUG WITH SOCKET CONTACTS WHICH MEET
THE DIMENSIONAL REQUIREMENTS OF MIL-C-81703 AND MIL-STD-3137.

DETORONICS CORPORATION
10660 EAST RUSH STREET, SO. EL MONTE, CA 91733
TELE: (626) 579-7130 FAX: (626) 579-1936
www.detoronics.com

MIL-C-5015 TYPE, DS SERIES
(COMMERCIAL EQUAL - HERMETIC)

PART NUMBERING SYSTEM

DS 02 H-16S -1 P* -111



GENERAL SPECIFICATIONS

MATERIAL

Shell, Key and Flange: Carbon Steel
Pins: 52 Nickel Alloy
Seals: None
Insulator: Glass

CURRENT RATING

Size 20: 5 AMPS
Size 16: 10 AMPS

AIR LEAKAGE

1x10⁻⁶ CM³/SEC AT 15psi

INSULATION RESISTANCE

5,000 megohms AT 500VDC

OPERATING TEMPERATURE

-67°F TO +347°F (-55°C TO +175°C)

STANDARD PIN IS EYELET TYPE. OTHER PIN TYPES ALSO AVAILABLE
(SOLDER CUP, STRAIGHT, THERMOCOUPLE) - CONSULT FACTORY.

STANDARD FINISH IS TIN PLATED SHELL AND PINS.
OTHER FINISHES ALSO AVAILABLE (GOLD, NICKEL, OLIVE DRAB, etc.) - CONSULT FACTORY.

SPECIALS CAN BE SUPPLIED TO MEET CUSTOMER SPECIFICATIONS - CONSULT FACTORY.

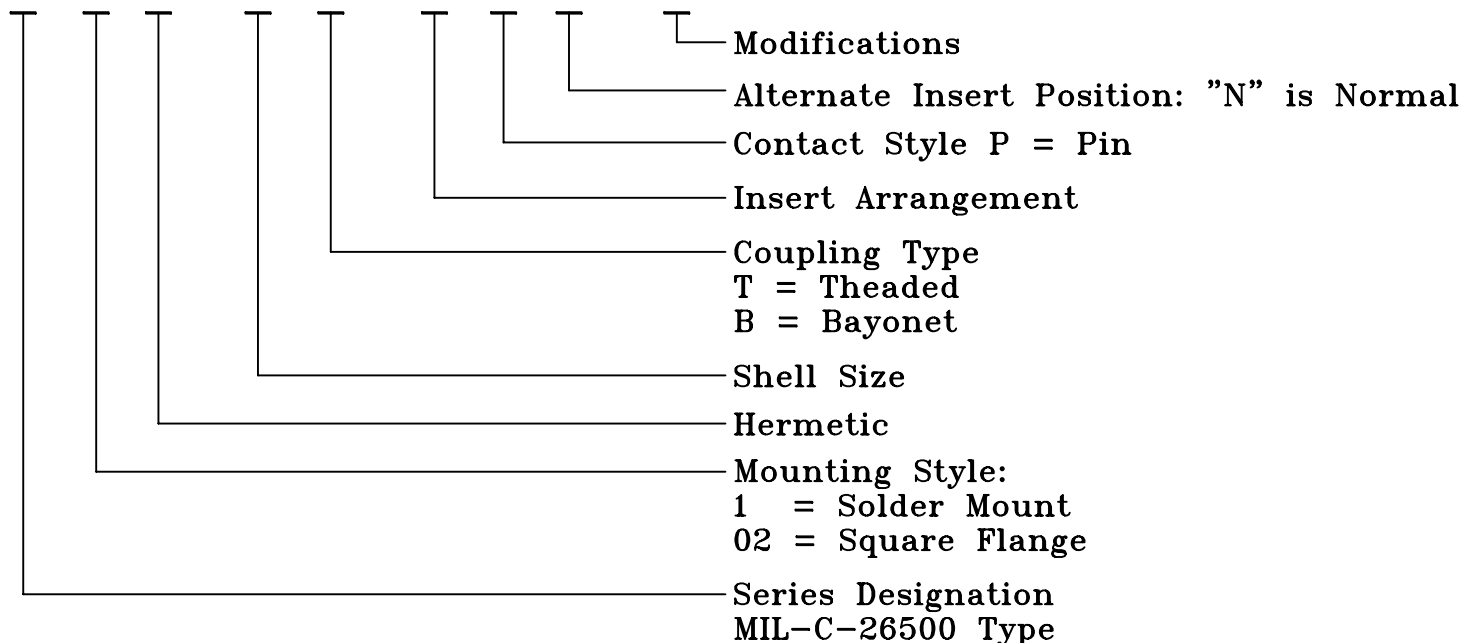
OUR CONNECTORS MATE WITH ANY PLUG WITH SOCKET CONTACTS WHICH MEET
THE DIMENSIONAL REQUIREMENTS OF MIL-C-5015 AND MIL-STD-3106.

DETORONICS CORPORATION
10660 EAST RUSH STREET, SO. EL MONTE, CA 91733
TELE: (626) 579-7130 FAX: (626) 579-1936
www.detoronics.com

MIL-C-26500 TYPE, DX SERIES
(COMMERCIAL EQUAL - HERMETIC)

PART NUMBERING SYSTEM

DX 1 H - 22 B - 55 P N - ***



GENERAL SPECIFICATIONS

MATERIAL

Shell and Flange: Carbon Steel
Pins: 52 Nickel Alloy
Seals: Silicone Interfacial Seal and O-Ring
Insulator: Glass

CURRENT RATING

Size 20: 5 AMPS
Size 16: 10 AMPS

AIR LEAKAGE

1x10⁻⁷ CM³/SEC AT 15psi

INSULATION RESISTANCE

5,000 megohms AT 500VDC

OPERATING TEMPERATURE

-67°F TO +500°F (-55°C TO +260°C)

STANDARD PIN IS EYELET TYPE. OTHER PIN TYPES ALSO AVAILABLE
(SOLDER CUP, STRAIGHT, THERMOCOUPLE) - CONSULT FACTORY.

STANDARD FINISH IS TIN PLATED SHELL AND PINS.
OTHER FINISHES ALSO AVAILABLE (GOLD, NICKEL, OLIVE DRAB, etc.) - CONSULT FACTORY.

SPECIALS CAN BE SUPPLIED TO MEET CUSTOMER SPECIFICATIONS - CONSULT FACTORY.

OUR CONNECTORS MATE WITH ANY PLUG WITH SOCKET CONTACTS WHICH MEET THE DIMENSIONAL REQUIREMENTS OF MIL-C-26500 AND MIL-STD-24266B AND MIL-STD-24266T.

DETORONICS CORPORATION
10660 EAST RUSH STREET, SO. EL MONTE, CA 91733
TELE: (626) 579-7130 FAX: (626) 579-1936
www.detoronics.com